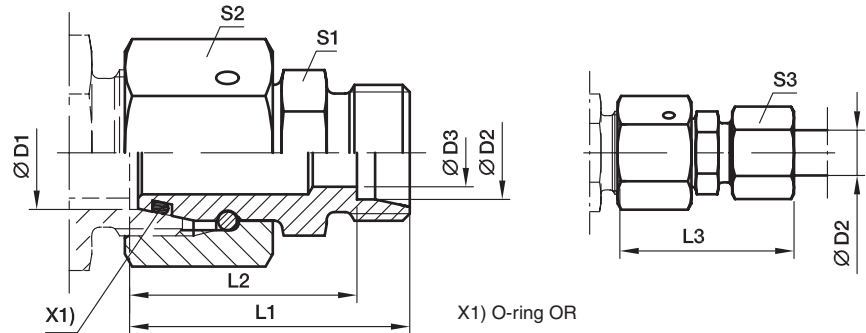


RED Tube end reducer

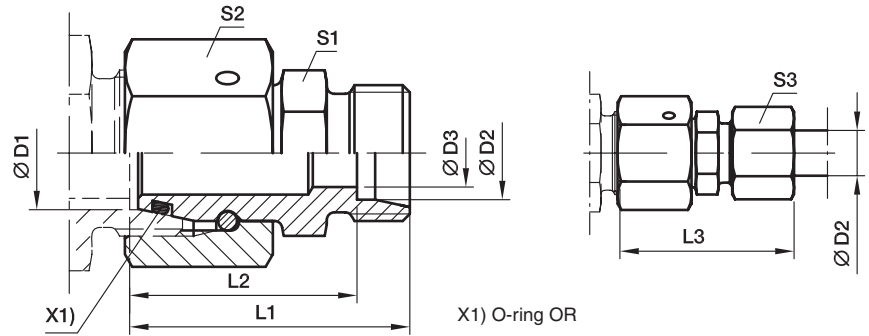
EO 24° DKO swivel / EO 24° cone end



| Series 2) 3) 4) | D1 | D2 | D3 | L1 | L2 | L3 | S1 | S2 | S3 | Weight g/1 piece | Order code* | PN (bar) ¹⁾ | |
|--------------------|----|----|------|------|------|------|----|----|----|---------------------|-----------------------|------------------------|-----|
| | | | | | | | | | | | | CF | 71 |
| L/LL | 06 | 04 | 2.5 | 28.5 | 24.5 | 34.0 | 9 | 14 | 10 | 17 | RED06L/04LLOMD | 100 | 100 |
| L | 08 | 06 | 4.0 | 30.5 | 23.5 | 38.0 | 12 | 17 | 14 | 29 | RED08/06LOMD | 500 | 315 |
| L | 10 | 06 | 4.0 | 32.0 | 25.0 | 40.0 | 14 | 19 | 14 | 36 | RED10/06LOMD | 500 | 315 |
| L | 10 | 08 | 6.0 | 32.0 | 25.0 | 40.0 | 14 | 19 | 17 | 38 | RED10/08LOMD | 500 | 315 |
| L | 12 | 06 | 4.0 | 32.0 | 25.0 | 40.0 | 17 | 22 | 14 | 49 | RED12/06LOMD | 400 | 315 |
| L | 12 | 08 | 6.0 | 32.0 | 25.0 | 40.0 | 17 | 22 | 17 | 49 | RED12/08LOMD | 400 | 315 |
| L | 12 | 10 | 8.0 | 33.0 | 26.0 | 41.0 | 17 | 22 | 19 | 51 | RED12/10LOMD | 400 | 315 |
| L | 15 | 06 | 4.0 | 35.5 | 28.5 | 43.0 | 19 | 27 | 14 | 81 | RED15/06LOMD | 400 | 315 |
| L | 15 | 08 | 6.0 | 35.5 | 28.5 | 43.0 | 19 | 27 | 17 | 85 | RED15/08LOMD | 400 | 315 |
| L | 15 | 10 | 8.0 | 36.5 | 29.5 | 44.0 | 19 | 27 | 19 | 83 | RED15/10LOMD | 400 | 315 |
| L | 15 | 12 | 10.0 | 36.5 | 29.5 | 44.0 | 19 | 27 | 22 | 83 | RED15/12LOMD | 400 | 315 |
| L | 18 | 06 | 4.0 | 35.0 | 28.0 | 43.0 | 24 | 32 | 14 | 109 | RED18/06LOMD | 400 | 315 |
| L | 18 | 08 | 6.0 | 35.0 | 28.0 | 43.0 | 24 | 32 | 17 | 111 | RED18/08LOMD | 400 | 315 |
| L | 18 | 10 | 8.0 | 36.0 | 29.0 | 44.0 | 24 | 32 | 19 | 110 | RED18/10LOMD | 400 | 315 |
| L | 18 | 12 | 10.0 | 36.0 | 29.0 | 44.0 | 24 | 32 | 22 | 110 | RED18/12LOMD | 400 | 315 |
| L | 18 | 15 | 12.0 | 37.0 | 30.0 | 45.0 | 24 | 32 | 27 | 115 | RED18/15LOMD | 400 | 315 |
| L/S | 18 | 16 | 12.0 | 40.0 | 31.5 | 49.5 | 27 | 32 | 30 | 138 | RED18L/16SOMD | 400 | 315 |
| L | 22 | 06 | 4.0 | 39.0 | 32.0 | 47.0 | 27 | 36 | 14 | 158 | RED22/06LOMD | 250 | 160 |
| L | 22 | 08 | 6.0 | 39.0 | 32.0 | 47.0 | 27 | 36 | 17 | 158 | RED22/08LOMD | 250 | 160 |
| L | 22 | 10 | 8.0 | 40.0 | 33.0 | 48.0 | 27 | 36 | 19 | 159 | RED22/10LOMD | 250 | 160 |
| L | 22 | 12 | 10.0 | 40.0 | 33.0 | 48.0 | 27 | 36 | 22 | 157 | RED22/12LOMD | 250 | 160 |
| L | 22 | 15 | 12.0 | 41.0 | 34.0 | 49.0 | 27 | 36 | 27 | 164 | RED22/15LOMD | 250 | 160 |
| L/S | 22 | 16 | 12.0 | 43.0 | 34.5 | 52.5 | 27 | 36 | 30 | 173 | RED22L/16SOMD | 250 | 160 |
| L | 22 | 18 | 15.0 | 41.0 | 33.5 | 50.0 | 27 | 36 | 32 | 167 | RED22/18LOMD | 250 | 160 |
| L/S | 22 | 20 | 16.0 | 45.0 | 34.5 | 56.0 | 32 | 36 | 36 | 203 | RED22L/20SOMD | 250 | 160 |
| L | 28 | 06 | 4.0 | 41.0 | 34.0 | 49.0 | 32 | 41 | 14 | 219 | RED28/06LOMD | 250 | 160 |
| L | 28 | 08 | 6.0 | 41.0 | 34.0 | 49.0 | 32 | 41 | 17 | 221 | RED28/08LOMD | 250 | 160 |
| L | 28 | 10 | 8.0 | 42.0 | 35.0 | 50.0 | 32 | 41 | 19 | 213 | RED28/10LOMD | 250 | 160 |
| L | 28 | 12 | 10.0 | 42.0 | 35.0 | 50.0 | 32 | 41 | 22 | 213 | RED28/12LOMD | 250 | 160 |
| L | 28 | 15 | 12.0 | 43.0 | 36.0 | 51.0 | 32 | 41 | 27 | 218 | RED28/15LOMD | 250 | 160 |
| L/S | 28 | 16 | 12.0 | 45.0 | 36.5 | 54.5 | 32 | 41 | 30 | 227 | RED28L/16SOMD | 250 | 160 |
| L | 28 | 18 | 15.0 | 43.0 | 35.5 | 52.0 | 32 | 41 | 32 | 220 | RED28/18LOMD | 250 | 160 |
| L | 28 | 22 | 19.0 | 45.0 | 37.5 | 54.0 | 32 | 41 | 36 | 222 | RED28/22LOMD | 250 | 160 |
| L/S | 28 | 25 | 20.0 | 50.0 | 38.0 | 62.0 | 41 | 41 | 46 | 300 | RED28L/25SOMD | 250 | 160 |
| L | 35 | 06 | 4.0 | 44.0 | 37.0 | 52.0 | 41 | 50 | 14 | 318 | RED35/06LOMD | 250 | 160 |
| L | 35 | 08 | 6.0 | 44.0 | 37.0 | 52.0 | 41 | 50 | 17 | 318 | RED35/08LOMD | 250 | 160 |
| L | 35 | 10 | 8.0 | 45.0 | 38.0 | 53.0 | 41 | 50 | 19 | 318 | RED35/10LOMD | 250 | 160 |
| L | 35 | 12 | 10.0 | 45.0 | 38.0 | 53.0 | 41 | 50 | 22 | 324 | RED35/12LOMD | 250 | 160 |
| L | 35 | 15 | 12.0 | 46.0 | 39.0 | 54.0 | 41 | 50 | 27 | 328 | RED35/15LOMD | 250 | 160 |
| L | 35 | 18 | 15.0 | 46.0 | 38.5 | 55.0 | 41 | 50 | 32 | 328 | RED35/18LOMD | 250 | 160 |
| L | 35 | 22 | 19.0 | 48.0 | 40.5 | 57.0 | 41 | 50 | 36 | 331 | RED35/22LOMD | 250 | 160 |

RED Tube end reducer

EO 24° DKO swivel / EO 24° cone end



| Series ^{2) 3) 4)} | D1 | D2 | D3 | L1 | L2 | L3 | S1 | S2 | S3 | Weight g/1 piece | Order code* | PN (bar) ¹⁾ | |
|-------------------------------|----|----|------|------|------|------|----|----|----|---------------------|----------------------|------------------------|-----|
| | | | | | | | | | | | | CF | 71 |
| L/S | 35 | 25 | 20.0 | 52.0 | 40.0 | 64.0 | 41 | 50 | 46 | 366 | RED35L/25SOMD | 250 | 160 |
| L | 35 | 28 | 24.0 | 48.0 | 40.5 | 57.0 | 41 | 50 | 41 | 327 | RED35/28LOMD | 250 | 160 |
| L/S | 35 | 30 | 25.0 | 55.0 | 41.5 | 68.0 | 46 | 50 | 50 | 435 | RED35L/30SOMD | 250 | 160 |
| L | 42 | 10 | 8.0 | 48.5 | 41.5 | 56.0 | 50 | 60 | 19 | 537 | RED42/10LOMD | 250 | 160 |
| L | 42 | 12 | 10.0 | 48.5 | 41.5 | 56.0 | 50 | 60 | 22 | 538 | RED42/12LOMD | 250 | 160 |
| L | 42 | 15 | 12.0 | 49.5 | 42.5 | 58.0 | 50 | 60 | 27 | 534 | RED42/15LOMD | 250 | 160 |
| L | 42 | 18 | 15.0 | 49.5 | 42.0 | 58.0 | 50 | 60 | 32 | 544 | RED42/18LOMD | 250 | 160 |
| L | 42 | 22 | 19.0 | 51.5 | 44.0 | 60.0 | 50 | 60 | 36 | 543 | RED42/22LOMD | 250 | 160 |
| L | 42 | 28 | 24.0 | 51.5 | 44.0 | 61.0 | 50 | 60 | 41 | 539 | RED42/28LOMD | 250 | 160 |
| L/S | 42 | 30 | 25.0 | 57.5 | 44.0 | 70.5 | 50 | 60 | 50 | 588 | RED42L/30SOMD | 250 | 160 |
| L | 42 | 35 | 30.0 | 53.5 | 43.0 | 65.0 | 50 | 60 | 50 | 541 | RED42/35LOMD | 250 | 160 |
| L/S | 42 | 38 | 32.0 | 61.5 | 45.5 | 76.0 | 55 | 60 | 60 | 701 | RED42L/38SOMD | 250 | 160 |

¹⁾ Pressure shown = item deliverable

²⁾ LL = very light series; ³⁾ L = light series; ⁴⁾ S = heavy series

$$\frac{PN \text{ (bar)}}{10} = PN \text{ (MPa)}$$

Delivery without nut and ring. Information on ordering complete fittings or alternative sealing materials see page 17.

*Please add the **suffixes** below according to the material/surface required.

| Order code suffixes | | | |
|---------------------------------|-----------------------------|----------------|---|
| Material | Suffix surface and material | Example | Standard sealing material (no additional suffix needed) |
| Steel, zinc plated, Cr(VI)-free | CF | RED18/15LOMDCF | NBR |
| Stainless Steel | 71 | RED18/15LOMD71 | VIT |