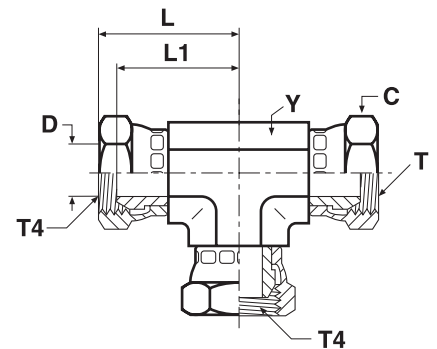


## Adapters

### J6MK4 Swivel nut tee

BSPP 60° Female swivel ends (ISO 8434-6)



| Thread<br>BSPP<br>T4 | C<br>mm | D<br>mm | L<br>mm | L1<br>mm | Y<br>mm | Weight<br>(steel)<br>g/1 piece | Adapter<br>Steel | Adapter<br>Stainless Steel | PN (bar) |     |
|----------------------|---------|---------|---------|----------|---------|--------------------------------|------------------|----------------------------|----------|-----|
|                      |         |         |         |          |         |                                |                  |                            | S        | SS  |
| 1/4                  | 19      | 5       | 31      | 25       | 14      | 119                            | <b>4J6MK4S</b>   | <b>4J6MK4SS</b>            | 350      | 350 |
| 3/8                  | 22      | 8       | 36      | 30       | 19      | 195                            | <b>6J6MK4S</b>   | <b>6J6MK4SS</b>            | 350      | 350 |
| 1/2                  | 27      | 11      | 39      | 32       | 22      | 267                            | <b>8J6MK4S</b>   | <b>8J6MK4SS</b>            | 200      | 200 |
| 5/8                  | 30      | 14      | 39      | 30       | 22      | 300                            | <b>10J6MK4S</b>  | <b>10J6MK4SS</b>           | 200      | 200 |
| 3/4                  | 32      | 17      | 42      | 33       | 27      | 398                            | <b>12J6MK4S</b>  | <b>12J6MK4SS</b>           | 200      | 200 |
| 1                    | 41      | 22      | 49      | 38       | 33      | 620                            | <b>16J6MK4S</b>  | <b>16J6MK4SS</b>           | 120      | 120 |
| 1 1/4                | 50      | 29      | 58      | 48       | 41      | 1050                           | <b>20J6MK4S</b>  | <b>20J6MK4SS</b>           | 105      | 105 |

Order codes shown are part of our current manufacturing programme.

Imperial and metric parts may vary in hexagon dimensions.

$$\frac{\text{PN (bar)}}{10} = \text{PN (MPa)}$$

Pressure ratings – PN shown, apply to Steel and Stainless Steel versions of the product.