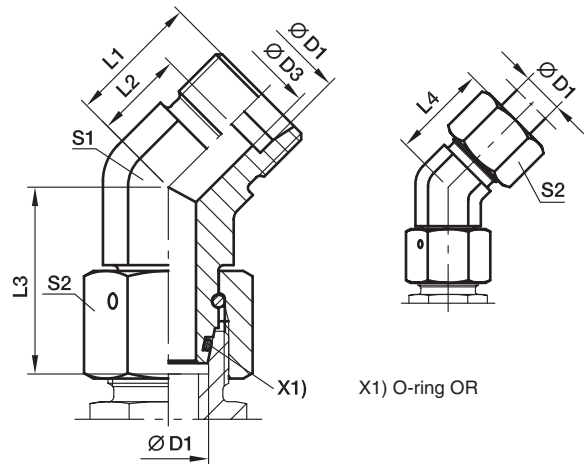


EV Swivel nut 45° elbow

EO 24° cone end / EO 24° DKO swivel



Series	D1 	D3	L1	L2	L3	L4	S1	S2	Weight g/1 piece	Order code*	PN (bar) ¹⁾	
											CF	71
L ³⁾	06	4	16.0	9.0	26.0	24	14	14	37	EV06LOMD	315	315
	08	6	19.0	12.0	27.5	27	14	17	49	EV08LOMD	315	315
	10	8	19.0	12.0	29.0	27	19	19	77	EV10LOMD	315	315
	12	10	21.0	14.0	29.5	29	19	22	86	EV12LOMD	315	315
	15	12	24.0	17.0	32.5	32	22	27	144	EV15LOMD	315	315
	18	15	24.0	16.5	35.5	33	27	32	210	EV18LOMD	315	315
	22	19	26.0	18.5	38.5	35	30	36	270	EV22LOMD	160	160
	28	24	30.5	23.0	41.5	40	36	41	385	EV28LOMD	160	160
	35	30	37.0	26.5	51.0	48	50	50	805	EV35LOMD	160	160
	42	36	37.0	26.0	56.0	49	50	60	887	EV42LOMD	160	160
S ⁴⁾	06	4	16.0	9.0	27.0	24	14	17	50	EV06SOMD	630	630
	08	5	19.0	12.0	27.5	27	19	19	80	EV08SOMD	630	630
	10	7	21.0	13.5	30.0	30	19	22	95	EV10SOMD	630	630
	12	8	24.0	16.5	31.0	33	22	24	137	EV12SOMD	630	630
	16	12	24.0	15.5	36.5	34	27	30	217	EV16SOMD	400	400
	20	16	26.5	16.0	44.5	38	30	36	313	EV20SOMD	400	400
	25	20	30.5	18.5	50.0	43	36	46	529	EV25SOMD	400	400
	30	25	37.0	23.5	55.0	50	50	50	940	EV30SOMD	400	400
	38	32	37.0	21.0	63.0	52	50	60	1055	EV38SOMD	315	315

¹⁾ Pressure shown = item deliverable

³⁾ L = light series; ⁴⁾ S = heavy series

$$\frac{\text{PN (bar)}}{10} = \text{PN (MPa)}$$

Delivery without nut and ring. Information on ordering complete fittings or alternative sealing materials see page I7.

*Please add the **suffixes** below according to the material/surface required.

Order code suffixes			
Material	Suffix surface and material	Example	Standard sealing material (no additional suffix needed)
Steel, zinc plated, Cr(VI)-free	CF	EV16SOMDCF	NBR
Stainless Steel	71	EV16SOMD71	VIT