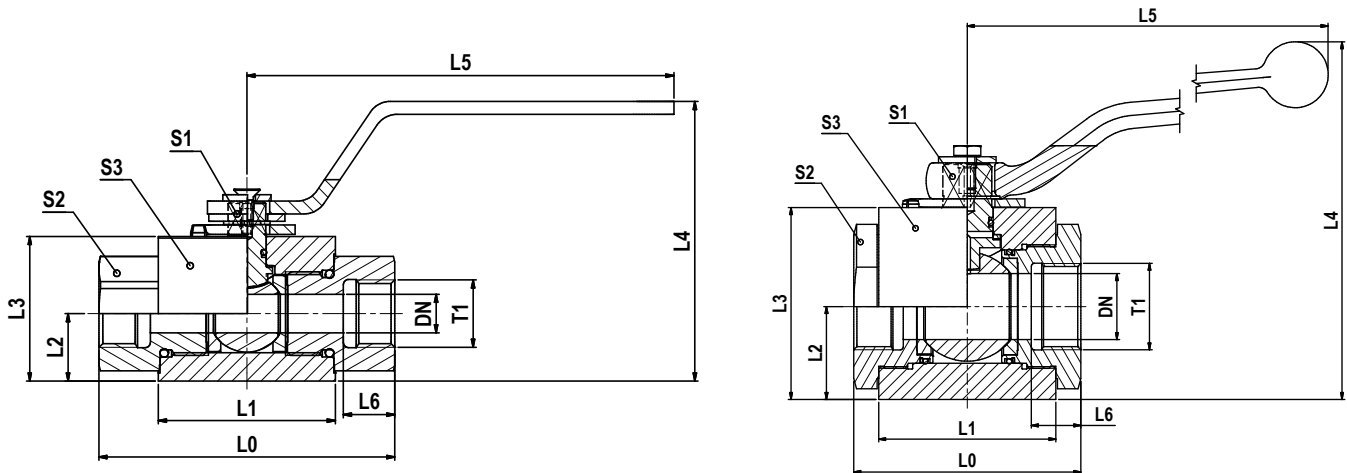


## KH 2-way BSPP ball valve stainless steel

Female BSPP thread (ISO 1179-1)

DN 4-25

DN 32-50



T1	DN	L0	L1	L2	L3	L4	L5	L6	S1	S2	S3	Weight g/1 piece	Order code	PN (bar)
G 1/8	4	69	41.5	13.5	30.0	54	80.0	11.0	7	22	30	420	<b>KH1/871X</b>	500
G 1/4	6	75	41.5	13.5	30.0	54	80.0	14.0	7	22	30	427	<b>KH1/471X</b>	500
G 3/8	10	86	53.0	18.0	40.0	82	132.5	14.0	8	30	40	902	<b>KH3/871X</b>	500
G 1/2	12	92	55.0	21.0	45.0	87	132.5	16.0	10	32	45	1100	<b>KH1/271X</b>	500
G 3/4	20	111	65.0	31.0	65.0	118	190.0	18.0	14	46	65	2699	<b>KH3/471X</b>	400
G 1	25	122	71.0	38.0	75.0	128	190.0	20.0	14	50	75	3620	<b>KH171X</b>	400
G 1 1/4	32	110	86.0	45.0	93.0	174	320.0	24.0	19	70	Ø100	5688	<b>KH11/471X</b>	400
G 1 1/2	40	120	92.0	52.0	104.5	185	320.0	26.0	19	80	Ø110	7379	<b>KH11/271X</b>	400
G 2	50	140	97.0	59.5	119.5	201	320.0	27.5	19	95	Ø125	10086	<b>KH271X</b>	400

$\frac{\text{PN (bar)}}{10} = \text{PN (MPa)}$

Order code suffixes			
Material	Suffix surface and material	Example	Standard sealing material (no additional suffix needed)
Stainless Steel	71	KH1/871X	POM / NBR