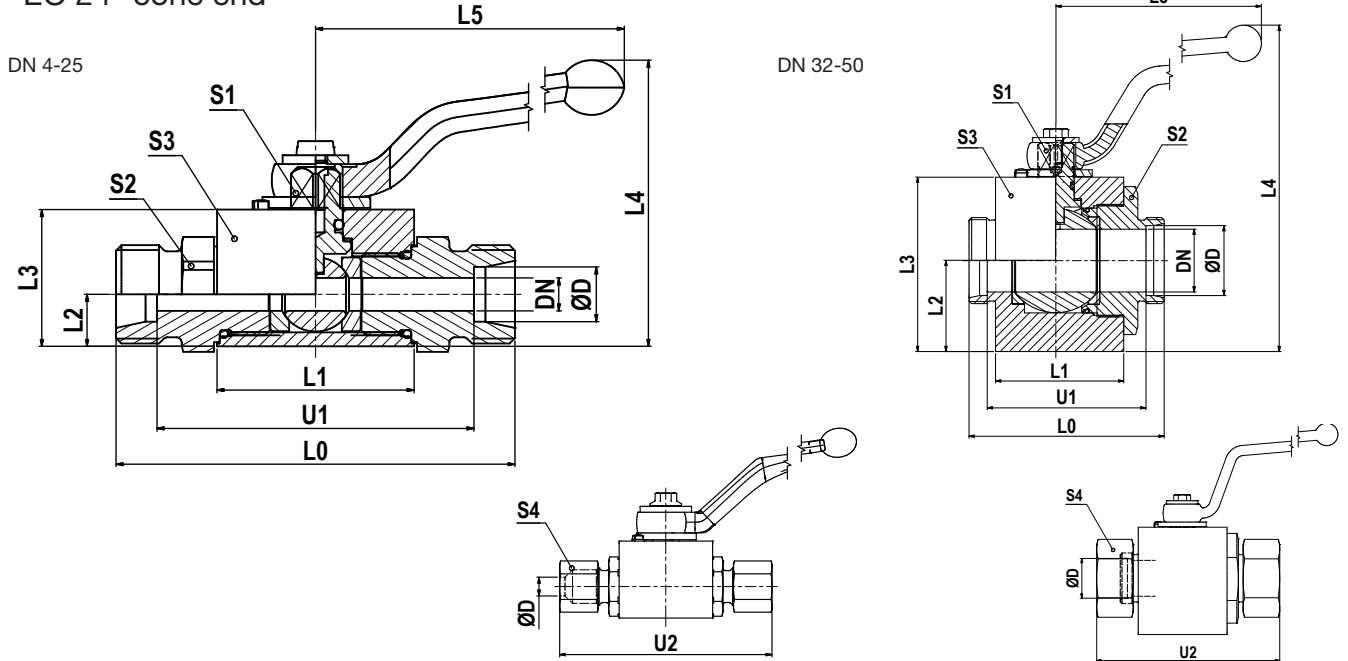


## KH 2-way ball valve steel

EO 24° cone end



Series	D	DN	L0	L1	L2	L3	L4	L5	U1	U2	S1	S2	S3	S4	Weight g/1 piece	Order code	PN (bar)
L <sup>1)</sup>	06	4	67	36.0	9.5	25	54.5	76	53	82	7	19	20	14	195	KH06LCFX	500
	08	6	67	36.0	9.5	25	54.5	76	53	82	7	19	20	17	190	KH08LCFX	500
	10	8	75	45.0	14.5	35	67.5	100	61	90	8	24	30	19	420	KH10LCFX	500
	12	10	75	45.0	14.5	35	67.5	100	61	90	8	24	30	22	410	KH12LCFX	500
	15	13	83	51.0	17.0	40	93.0	113	69	99	10	30	35	27	631	KH15LCFX	500
	18	16	82	50.0	20.0	45	98.0	113	67	99	10	36	45	32	850	KH18LCFX	420
	22	20	99	60.0	24.0	55	120.0	171	84	116	14	41	45	36	1210	KH22LCFX	420
	28	25	108	70.0	26.0	60	125.0	171	93	126	14	50	55	41	1750	KH28LCFX	420
	35	32/25	116	70.0	26.0	60	125.0	171	95	138	14	50	55	50	1820	KH35LDN25CFX	420
	35	32	121	79.0	48.5	94	187.0	228	100	143	17	60	Ø97	50	4888	KH35LCFX	420
	42	40/25	121	70.0	26.0	60	125.0	171	99	144	14	55	55	60	1940	KH42LDN25CFX	420
	42	40	118	77.5	53.5	104	197.0	228	96	141	17	75	Ø107	60	5590	KH42LCFX	420
S <sup>2)</sup>	08	5	73	36.0	9.5	25	54.5	76	59	88	7	19	20	19	214	KH08SCFX	500
	10	6	73	36.0	9.5	25	54.5	76	58	90	7	19	20	22	220	KH10SCFX	500
	12	8	77	45.0	14.5	35	67.5	100	62	94	8	24	30	24	430	KH12SCFX	500
	14	10	81	45.0	14.5	35	67.5	100	65	100	8	24	30	27	440	KH14SCFX	500
	16	13	87	51.0	17.0	40	93.0	113	70	106	10	30	35	30	649	KH16SCFX	500
	20	16	90	50.0	20.0	45	98.0	113	69	112	10	36	45	36	900	KH20SCFX	420
	25	20	107	60.0	24.0	55	120.0	171	83	131	14	41	45	46	1290	KH25SCFX	420
	30	25	120	70.0	26.0	60	125.0	171	93	146	14	50	55	50	1880	KH30SCFX	420
	38	32/25	134	70.0	26.0	60	125.0	171	102	163	14	55	55	60	1950	KH38SDN25CFX	420
	38	32	127	73.0	48.5	94	187.0	228	95	156	17	60	Ø97	60	4740	KH38SCFX	420

<sup>1)</sup>L = light series; <sup>2)</sup>S = heavy series

$$\frac{\text{PN (bar)}}{10} = \text{PN (MPa)}$$

Delivery without nut and ring.

Order code suffixes			
Material	Suffix surface and material	Example	Standard sealing material (no additional suffix needed)
Steel	CF	KH06LCFX	POM / NBR