

General Description

2-Way Poppet Valves. For additional information see Technical Tips on pages SV1-SV5.

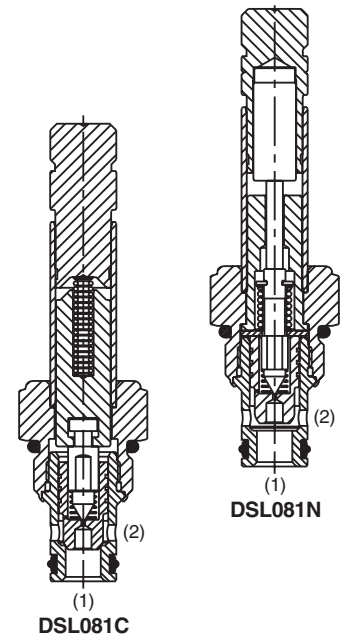
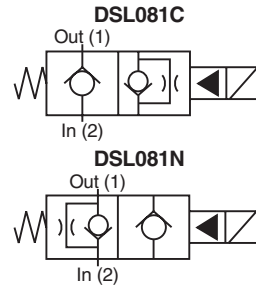


Features

- Replaceable, one piece encapsulated, coils with minimal amperage draw
- Variety of coil terminations and voltages
- Variety of manual override options available
- Fast response available, (CH and CHR) rated at 15 LPM (4.0 GPM)
- Polyurethane "D"-Ring eliminates need for backup rings
- Spherical poppet for low leakage
- Nylon inserted jam-nut provides secure holding in high vibration applications
- All external parts zinc plated

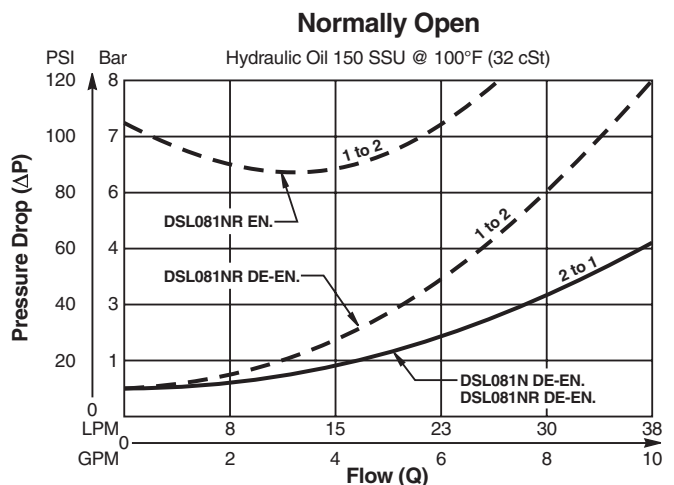
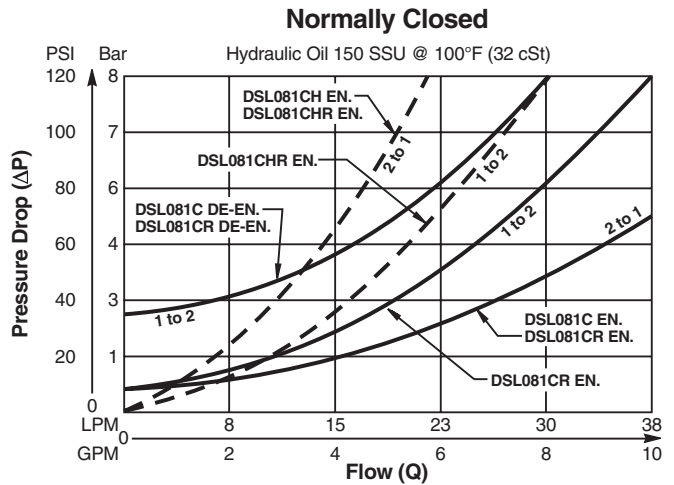
Specifications

Rated Flow	30 LPM (8 GPM)												
Maximum Inlet Pressure	250 Bar (3600 PSI)												
Leakage at 150 SSU (32 cSt)	5 drops/min. (.33 cc/min.)												
Minimum Operating Voltage	85% of rated voltage at 20°C (72°F).												
Response Time	<table border="1"> <thead> <tr> <th></th> <th>Energized</th> <th>De-Energized</th> </tr> </thead> <tbody> <tr> <td>C, CR</td> <td>50 ms</td> <td>50 ms</td> </tr> <tr> <td>CH, CHR</td> <td>30 ms</td> <td>50 ms</td> </tr> <tr> <td>N, NR</td> <td>50 ms</td> <td>40 ms</td> </tr> </tbody> </table>		Energized	De-Energized	C, CR	50 ms	50 ms	CH, CHR	30 ms	50 ms	N, NR	50 ms	40 ms
	Energized	De-Energized											
C, CR	50 ms	50 ms											
CH, CHR	30 ms	50 ms											
N, NR	50 ms	40 ms											
Cartridge Material	All parts steel. All operating parts hardened steel.												
Operating Temp. Range/Seals	-37°C to +93°C ("D"-Ring) (-50°F to +200°F) -35°C to +121°C (Nitrile) (-30°F to +250°F) -26°C to +204°C (Fluorocarbon) (-15°F to +400°F)												
Fluid Compatibility/Viscosity	Mineral-based or synthetic with lubricating properties at viscosities of 45 to 2000 SSU (6 to 420 cSt)												
Filtration	ISO 4406 18/16/13, SAE Class 4												
Approx. Weight	.11 kg (.25 lbs.)												
Cavity	C08-2 (See BC Section for more details)												
Form Tool	<table border="1"> <tbody> <tr> <td>Rougher</td> <td>None</td> </tr> <tr> <td>Finisher</td> <td>NFT08-2F</td> </tr> </tbody> </table>	Rougher	None	Finisher	NFT08-2F								
Rougher	None												
Finisher	NFT08-2F												

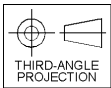
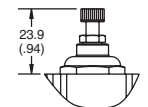
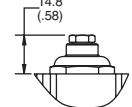
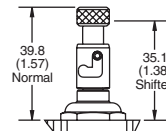
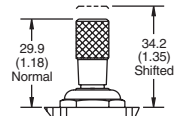
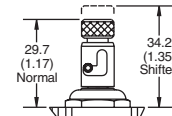
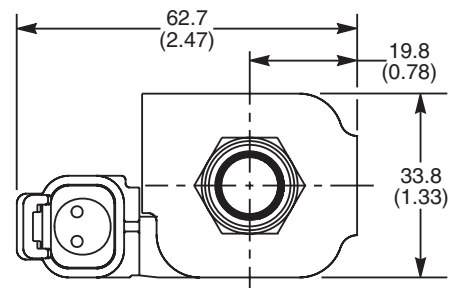
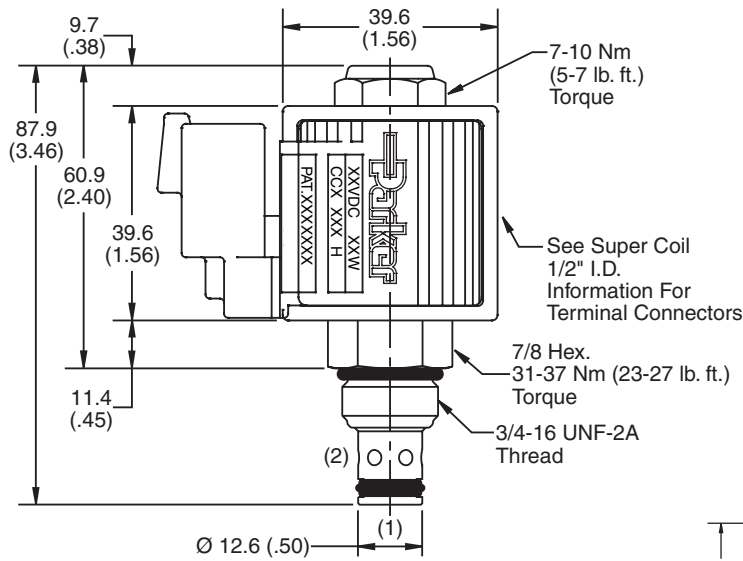


Performance Curves

Pressure Drop vs. Flow (Through cartridge only)



Dimensions Millimeters (Inches)



Ordering Information

DSL081

08 Size Solenoid Valve **Style** **Override Option** **Seals** **Screen**

Highlighted represents preferred options that offer the shortest lead times. Other options may be available, but at extended lead times.

Coil(s) sold separately. Please see section CE of this catalog, 1/2" Super-Coil (CC series), for ordering information.

*Order Bodies Separately
 See section BC*

B08 - **2** -

08 size 2-Way Cavity Port Size

Code	Port Size / Body Material
6T	SAE-6 / Steel (5000 PSI)
A6T	SAE-6 / Aluminium (3000 PSI)

Code / Style	Diagram
C Normally Closed Metered reverse flow	
CH Normally Closed Metered reverse flow (Fast response)	
CHR Normally Closed Full reverse flow (Fast response)	
CR Normally Closed Free reverse flow	
N Normally Open Metered reverse flow	
NR Normally Open Free reverse flow	

Code	Override Options
Omit	None
E	Push Type with Extended Rod (N.O. Only)
M	Push Type with Flush Rod (N.O. Only)
P	Pull & Release (N.C. Only)
T	Push & Twist (N.C. & N.O.)

Code	Seals / Kit No.
Omit	"D"-Ring / (SK08-2)
N	Nitrile (SK08-2)
V	Fluorocarbon / (SK08-2V)

Code	Screen
Omit	None
S	Screen

- CV
- Check Valves
- SH
- Shuttle Valves
- LM
- Load/Motor Controls
- FC
- Flow Controls
- PC
- Pressure Controls
- LE
- Logic Elements
- DC
- Directional Controls
- MV
- Manual Valves
- SV
- Solenoid Valves
- PV
- Proportional Valves
- CE
- Coils & Electronics
- CB
- Carpak Bodies
- BC
- Bodies & Cavities
- TD
- Technical Data