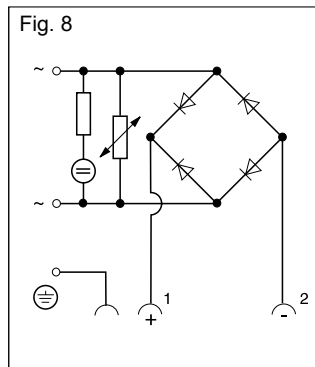
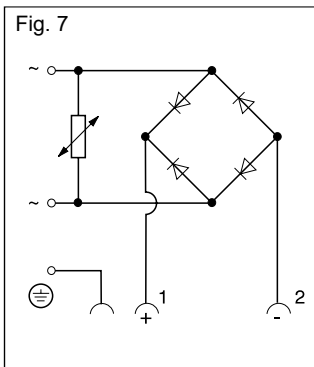
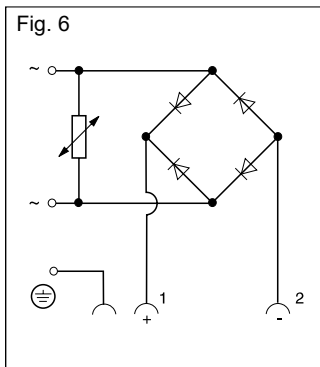
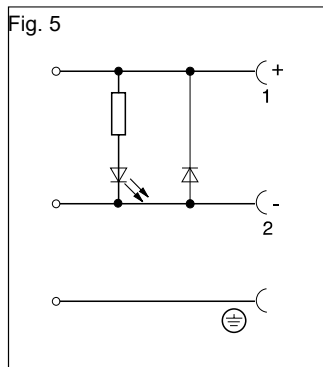
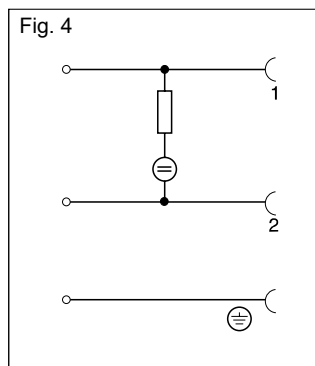
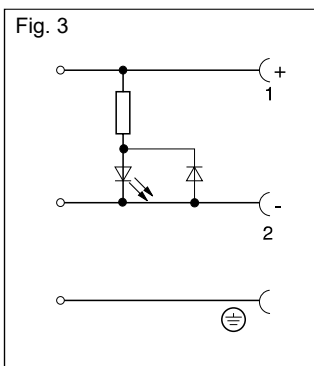
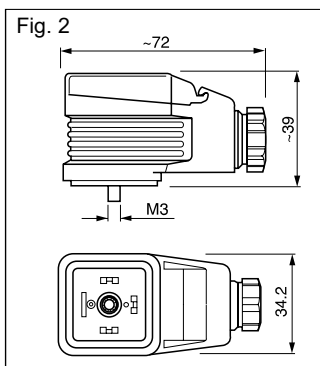
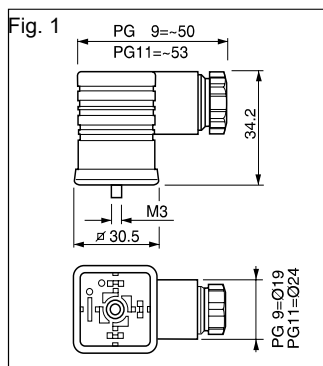
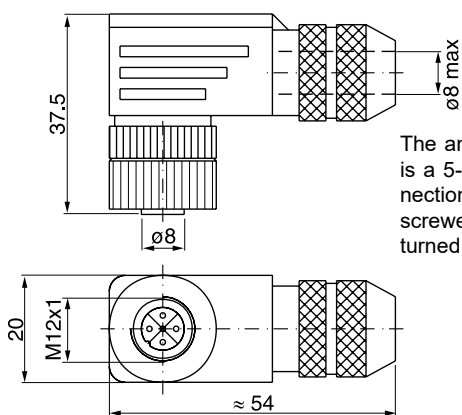


Description	Cable connection	Figure circuit	Order no.	
			black (B)	grey (A)
Plug EN 175301-803 <sup>1)</sup> , style AF Protection class IP65 for voltages up to 250V	PG 9 PG 11	Fig. 1	5001710 5001716	5001711 5001717
Plug with LED 24VDC Plug with lamp insert 120VAC Plug with lamp insert 230VAC	PG 11	Fig. 1 and 3	5001571	5001572
		Fig. 1 and 4	5001573 5001575	5001574 5001576
Plug with LED 24VDC and suppressing circuit Plug with rectifier: Bridge-type rectifier with silicon diodes. Varistors are used to protect the diodes against power surges from the power supply up to 250VAC. Plug with cable strain relief and transparent cover	PG 11	Fig. 1 and 5	5001708	5001709
		Fig. 1 and 6	5001737	5001738
Inserts for plug 5001723 and 5001724		Fig. 2	5001723	5001724
Bridge-type rectifier up to 250VAC 7		Circuit	Order no.	
Bridge-type rectifier with lamp 250VAC		7	5001727	
		8	5001734	



**Plug M12x1, order no.: 5004109**



The angled plug for M12x1 is a 5-pin design. The connections in the plug can be screwed in. The plug can be turned 4 x 90°.

**Plug kit 2-pin Junior Timer (AMP)**

Order no.	Number of plugs in 1 kit
393 000 K822	1
393 000 K825	10
393 000 K826	50
393 000 K827	100

**Plug kit DT04-2P "Deutsch"**

Order no.	Number of plugs in 1 kit
45216087	1

<sup>1)</sup> (New) EN 175301-803 corresponds to (old) DIN 43650.

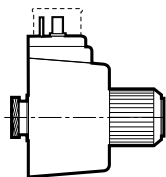
**Solenoid kit (displayed: EN plug)**

A solenoid kit contains tube, coil, retainer and seals for the solenoid, if necessary for the ordered version.

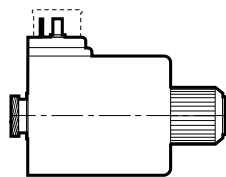
**Coil kit**

A coil kit contains coil, retainer and seals for the coil, if necessary for the ordered version.

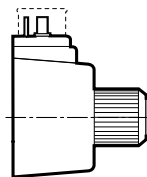
2



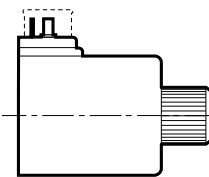
AC



DC



AC



DC

**For D1VW standard**

Solenoid kits: <b>AK-D1VWS...</b> (Soft shift on request)		(Example: <b>AK-D1VWSJW91</b> )	
Voltage Volt/Hertz	Voltage Code	EN plug D1VW	EN plug without manual override (Code „T“) D1VW
12 V=	K	<b>KW91</b>	KWT91
24 V=	J	<b>JW91</b>	JWT91
98 V=	U	UW91	UWT91
205 V=	G	GW91	GWT91
110 V/50 Hz / 120 V/60 Hz	Y	<b>YW91</b>	–
230 V/50 Hz / 240 V/60 Hz	T	<b>TW91</b>	–

Coil kits: <b>AK-D1VWC...</b> (Example: <b>AK-D1VWCJW91</b> )		
Voltage Volt/Hertz	Voltage Code	EN plug D1VW
12 V=	K	<b>KW91</b>
24 V=	J	<b>JW91</b>
98 V=	U	UW91
205 V=	G	GW91
110 V/50 Hz / 120 V/60 Hz	Y	<b>YW91</b>
230 V/50 Hz / 240 V/60 Hz	T	<b>TW91</b>

**D1VW 8 Watt**

Solenoid kits: <b>AK-D1VWS...</b>				Coil kits: <b>AK-D1VWC...</b>	
Voltage Volt/Hertz	Voltage Code	EN plug D1VW	M12x1 „DESINA“ (Code „DLJ5“) D1VW	EN plug D1VW	M12x1 „DESINA“ (Code „DLJ5“) D1VW
24 V=	J	JWL91	JDLJ591	<b>JWL91</b>	JDLJ591

**D3W**

Solenoid kits: <b>AK-D3WS...</b> (Soft shift on request) (Example: <b>AK-D3WSJW30</b> )				Coil kits: <b>AK-D3WC...</b>	
Voltage Volt/Hertz	Voltage Code	EN plug D3W	EN plug without manual override (Code „T“) D3W	EN plug D3W	EN plug without manual override (Code „T“) D3W
12 V=	K	KW30	KWT30	KW30	KWT30
24 V=	J	<b>JW30</b>	JWT30	<b>JW30</b>	JWT30
98 V=	U	UW30	UWT30	UW30	UWT30
205 V=	G	GW30	GWT30	GW30	GWT30
110 V/50 Hz / 120 V/60 Hz	Y	<b>YW30</b>	–	<b>YW30</b>	–
230 V/50 Hz / 240 V/60 Hz	T	<b>TW30</b>	–	<b>TW30</b>	–

Other solenoids, coil kits and tube kits on request.

**Bold letters =**  
 Short-term availability

**O-rings to seal between valve and mounting surface**

Valve size	Valve series	Ports	Dimensions inner Ø x section Ø	Quantity <sup>1)</sup>
DIN NG06	D1	P, A, B, T X, Y	9.25 x 1.78	4
			4.47 x 1.78	2
DIN NG10	D3	P, A, B, T X, Y	12.42 x 1.78	5
			10.82 x 1.78	2
DIN NG16	D4	P, A, B, T X, Y	21.89 x 2.62	4
			10.82 x 1.78	2
DIN NG25	D8	P, A, B, T X, Y	29.82 x 2.62	4
			20.29 x 2.62	2
DIN NG25	D9	P, A, B, T X, Y	34.59 x 2.62	4
			20.29 x 2.62	2
DIN NG32	D11	P, A, B, T X, Y	53.57 x 3.53	4
			14.00 x 1.78	2

**2**

**Seal kits (connecting surface and inner seals)  
 Spool valves**

Valve series	Material	Order code for valve size												
		D1	D3	D31	D4	D8	D9	D11						
D**W Solenoid	NBR	SK-D1VW-N-91	SK-D3W-N-30	–	SK-D41VW-N-91	SK-D81VW-N-91	SK-D91VW-N-91	SK-D111VW-N-91						
	FPM	SK-D1VW-V-91	SK-D3W-V-30	–	SK-D41VW-V-91	SK-D81VW-V-91	SK-D91VW-V-91	SK-D111VW-V-91						
D*DW Solenoid	NBR	–	–	SK-D31DW-N-91	–									
	FPM	–	–	SK-D31DW-V-91										
D*NW Solenoid	NBR	–	–	SK-D31NW-N-91										
	FPM	–	–	SK-D31NW-V-91										
D**P Hydr.	NBR	–	SK-D3DP-N-35	–					SK-D41VW-N-91	–	SK-D91VW-N-91	SK-D111VW-N-91		
	FPM	–	SK-D3DP-V-35	–					SK-D41VW-V-91	–	SK-D91VW-V-91	SK-D111VW-V-91		
D1VP*90 Hydr.	NBR	SK-D1VP-N-87	–											
	FPM	SK-D1VP-V-87												
D1VP*4L Hydr.	NBR	SK-D1VP-N4L-91												
	FPM	SK-D1VP-V4L-91												
D*L/LB Hand lever	NBR	SK-D1VL-N-91							SK-D3DL-N-35	–	SK-D4L-N-91	–	SK-D9L-N-91	–
	FPM	SK-D1VL-V-91							SK-D3DL-V-35	–	SK-D4L-V-91	–	SK-D9L-V-91	–

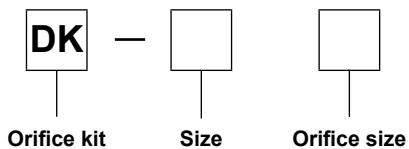
**Seated valve**

Valve series	Material	D1SE
D1SE Solenoid	NBR	SK-D1SE-70
	FPM	SK-D1SE-V70

<sup>1)</sup> Number per set

**Slip-in orifice for P, A, B port of directional control valves NG06 and NG10**

2



Code	Size
D1VW91	NG06
D3W31	NG10

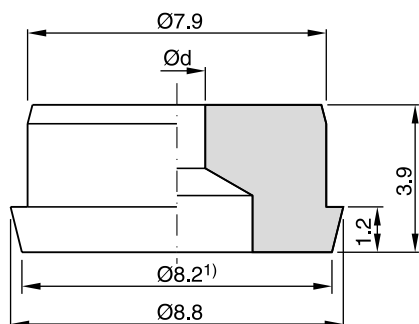
Code	Orifice Ø	NG6	NG10
00	without orifice	x	x
06	0.6 mm	x	
08	0.8 mm	x	x
09	0.9 mm	x	
10	1.0 mm	x	x
11	1.1 mm	x	
12	1.2 mm	x	x
14	1.4 mm	x	x
15	1.5 mm	x	x
18	1.8 mm	x	
20	2.0 mm	x	x
25	2.5 mm	x	x
30	3.0 mm		x
45	4.5 mm		x

The orifice kit DK-D1VW91 includes special O-rings (NBR - black and FPM - green) which have to be used with the orifice.

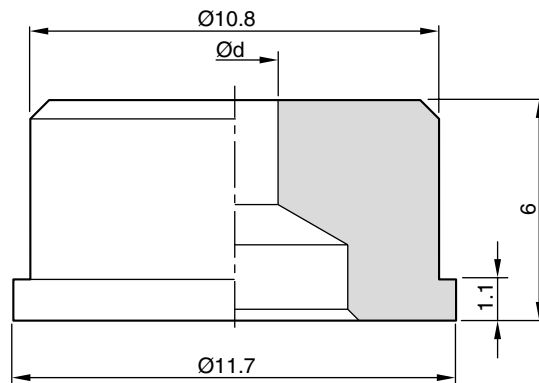
Package size: Each kit contains 10 orifices of the same size.

**Dimensions**

**NG06**



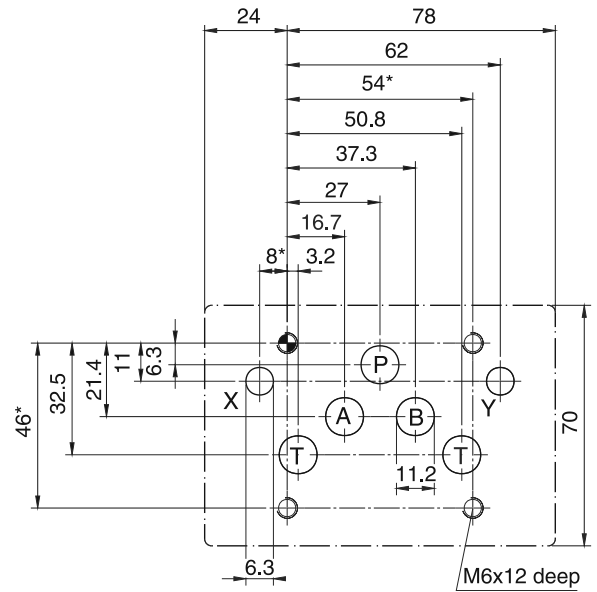
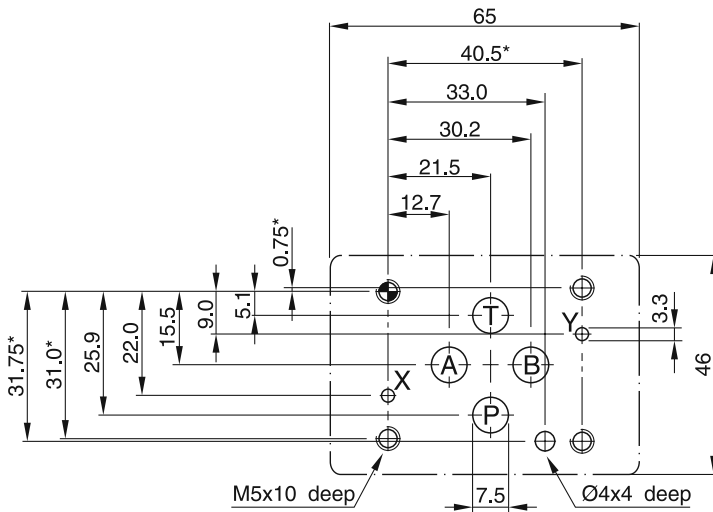
**NG10**



<sup>1)</sup> Only for ports P, A, B with max. dia. 7.5 mm.

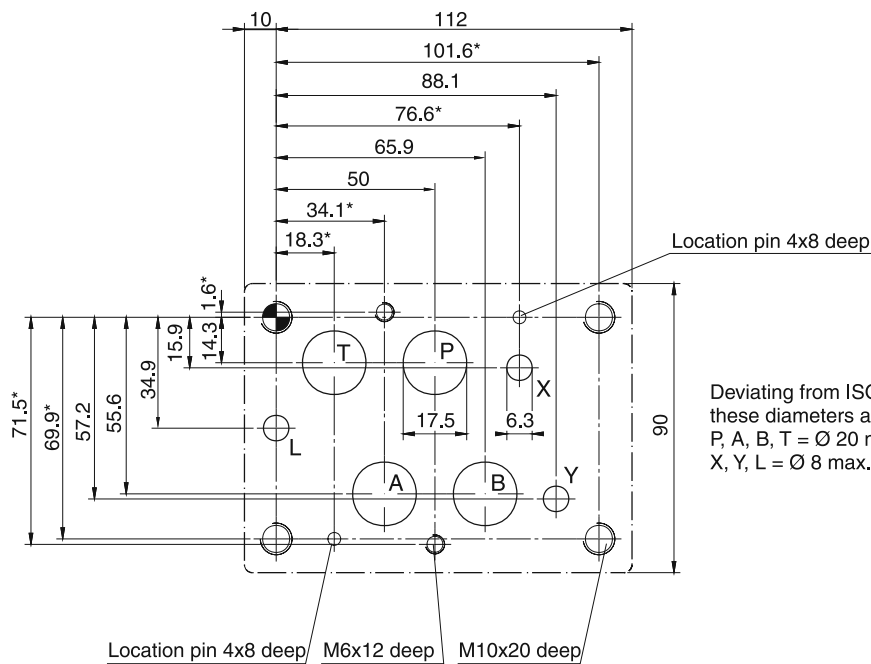
**Size 6**, mounting pattern to ISO 4401-03-03-0-05

**Size 10**, mounting pattern to ISO 4401-05-05-0-05



Deviating from ISO 4401  
 these diameters are possible:  
 X, Y = Ø 8 max.

**Size 16**, mounting pattern to ISO 4401-07-07-0-05

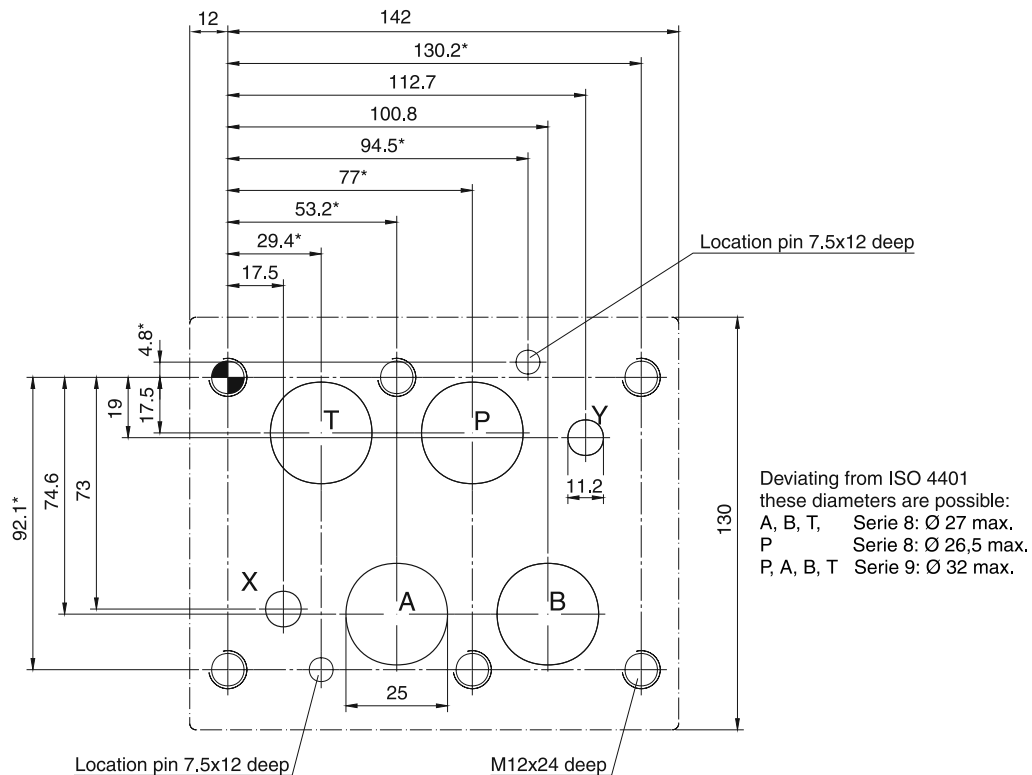


Deviating from ISO 4401  
 these diameters are possible:  
 P, A, B, T = Ø 20 max.  
 X, Y, L = Ø 8 max.

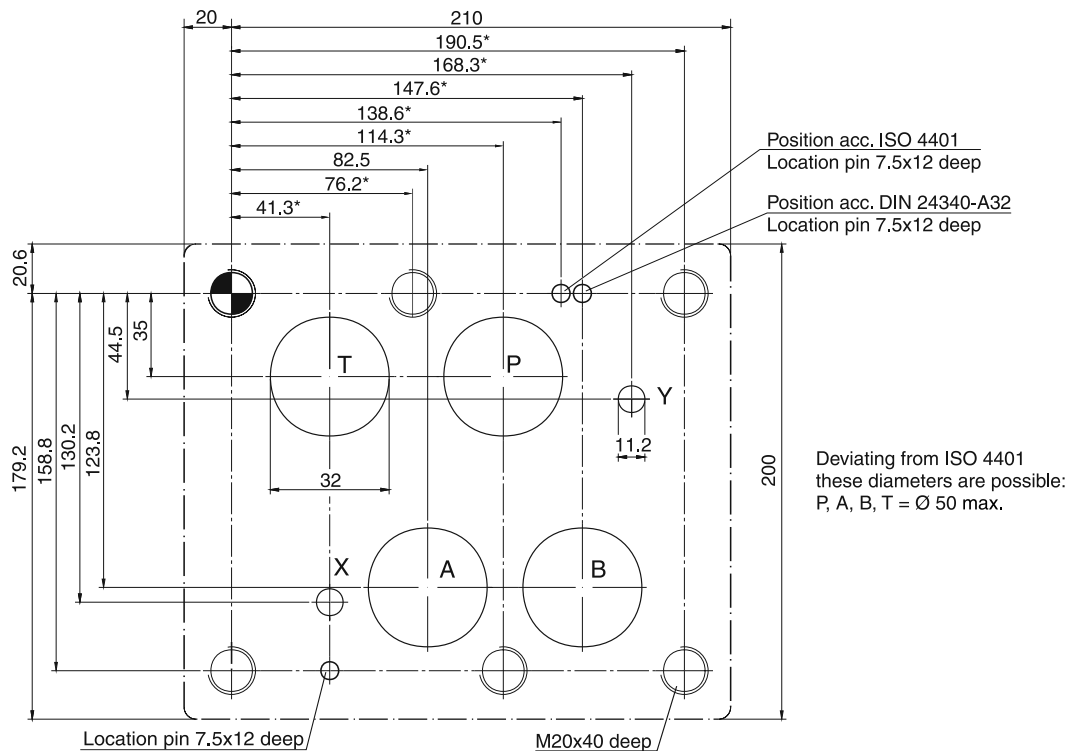
With \* marked dimensions ± 0.1 mm. All other dimensions ± 0.2 mm.

**Subplates and manifolds see chapter 12.**

**Size 25, mounting pattern to ISO 4401-08-08-0-05**



**Size 32, mounting pattern to ISO 4401-10-09-0-05**



With \* marked dimensions  $\pm 0.1$  mm. All other dimensions  $\pm 0.2$  mm.

**Subplates and manifolds see chapter 12.**