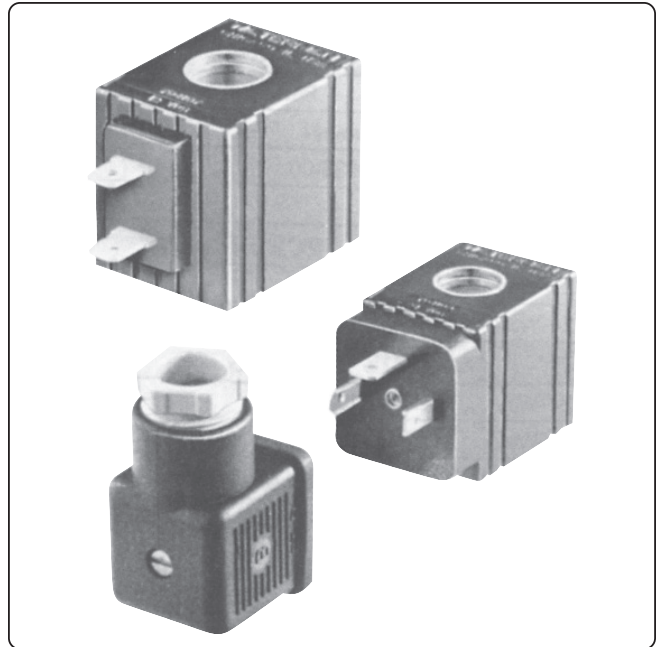


Features

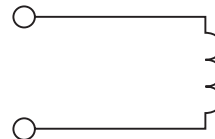
- Compact one piece encapsulated design
- Minimal amperage draw
- Numerous terminals and voltages
- High watt design available for intermittent operation
- Heavy gauge color coded lead wire with built-in strain relief
- 180°C Class H wire standard
- 200°C Class N wire on high watt models

Specifications

Wattage	12 Watts — Standard - Black Coil 25 Watts — High Watt - Red Coil
Duty Rating	Continuous @ 100% voltage
Wire Class	Class H for all voltages 12 Watt Class N for all voltages 25 Watt
A.C. Rectifier	Integral full wave bridge
Lead Wire	18 gauge 24" long, 600 volt rating
Lead Wire Strain Relief	34 kg (75 lbs.) @ 21°C (70°F) & 18 kg (40 lbs.) @ 93°C (200°F)
Encapsulating Material	Glass filled nylon, resistant to moisture, caustic solutions, fungus, and temperatures from -40°C (-40°F) to 200°C (392°F)

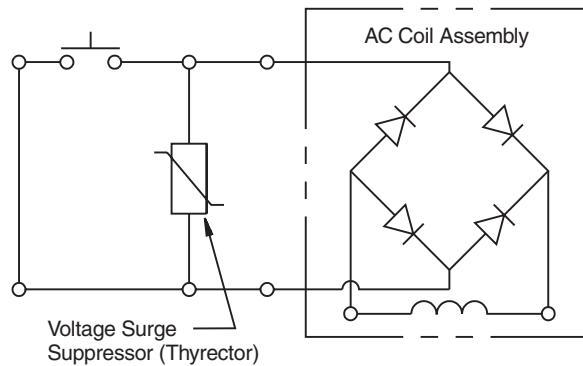


Symbol



AC Coil Assembly

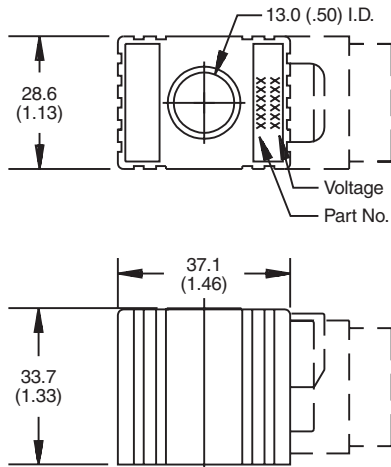
No inductive or capacitive loads can be installed between surge suppressor and rectified valves.



NOTE:

Parker A.C. Coils incorporate integrally molded full wave rectifiers which are rated for reverse voltage peaks of 1000 volts maximum. For voltage transients greater than 1000 volts P.I.V., Harris Thyrector V150LA10A or V150LA20A for 115 VAC and V250LA15A or V250LA40A for 200 VAC is recommended.

Terminal Styles and Dimensions



<p>Type P Dual Spade</p> <p>Thru Hole Tinned Brass SAE 1B-0.25</p> <p>33.5 (1.32)</p>	<p>Type W Dual Lead</p> <p>18 Gauge 24" Long</p> <p>25.8 (1.02)</p>	<p>Type C Double Lead With Conduit Connector (1/2" NPTF)</p> <p>18 Gauge 24" Long</p> <p>40.4 (1.59)</p>
<p>Type D DIN</p> <p>DIN 43650 Plug Face Only</p> <p>36.6 (1.44)</p>	<p>Type S Double Screw</p> <p>8-32 Screw & Nut</p> <p>33.1 (1.31)</p>	<p>Type J AMP Junior Timer Type C</p> <p>40.8 (1.61)</p>

NOTES:

1. Coil to be installed with part number on nut side.
2. For additional terminals, voltages and wattages, consult factory for details.

Coil Part Numbers

Voltage	Watts	Type P Double Spade	Type W Double Lead	Type C Conduit Connector	Type D DIN Plug Face	Type S Double Screw	Amps†	Lead Wire Color
*6 VDC	12	851007-006	851009-006	851003-006	851005-006	851011-006	2.22	Black
	25	851008-006	851010-006	851004-006	851006-006	851012-006	3.90	
*10 VDC	12	851007-010	851009-010	851003-010	851005-010	851011-010	1.43	Yellow
	25	851008-010	851010-010	851004-010	851006-010	851012-010	2.48	
12 VDC	12	851007-012	851009-012	851003-012	851005-012	851011-012	1.05	Red
	25	851008-012	851010-012	851004-012	851006-012	851012-012	1.94	
*18 VDC	12	851007-018	851009-018	851003-018	851005-018	851011-018	0.75	Gray
	25	851008-018	851010-018	851004-018	851006-018	851012-018	1.42	
24 VDC	12	851007-024	851009-024	851003-024	851005-024	851011-024	0.52	Blue
	25	851008-024	851010-024	851004-024	851006-024	851012-024	1.17	
*36 VDC	12	851007-036	851009-036	851003-036	851005-036	851011-036	0.38	Orange
	25	851008-036	851010-036	851004-036	851006-036	851012-036	0.73	
*48 VDC	12	851007-048	851009-048	851003-048	851005-048	851011-048	0.26	Green
	25	851008-048	851010-048	851004-048	851006-048	851012-048	0.59	
120 VAC	12			851003-120	851005-120		0.14	Brown
	25			851004-120	851006-120		0.23	
230 VAC	12			851003-240	851005-240		0.08	White
	25			851004-240	851006-240		0.12	
*440 VAC	12			851003-480	851005-480		0.04	Violet
	25			851004-480	851006-480		0.07	

*Consult Factory

†Amperage draw @ 21°C (70°F)