



**ELECTRICAL PART 32 mm**

These coils can be mounted with every Parker ATEX solenoid valves corresponding to the specified Coil Group.  
See column "Coil Group" within valve pages.

**Application:** Control of solenoid valves in dangerous areas where explosion-proof protection Ex nAc nCc IIC T3/T4 is required.

Ease of mounting in confined space - offers shock and corrosion protection-simplifies conversion of existing equipment to other requirements, etc.

**Benefits:**

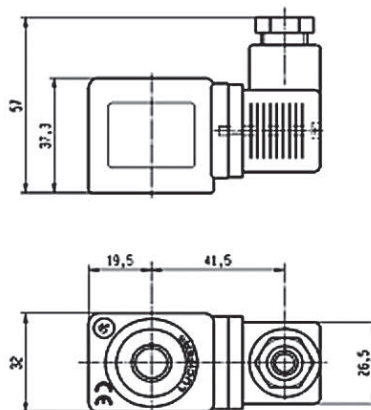
The synthetic material encapsulation of the coil provides an effective compact housing, offering full protection against dust, oil, water, etc.

Small size for ease of mounting in confined spaces.



Reference	495870				496110		
Certificate	LCIE 05 ATEX 6003 X						
Coil Group	2.0 / 2.1						
Type of protection	Gas	II 3 G Ex nAc nCc IIC T3/T4				II 3 G Ex nAc nCc IIC T3/T4	
	Dust	II 3 D - Ex tc IIIC - T195°C / T130°C				II 3 D - Ex tc IIIC - T195°C / T130°C	
Degree of protection	IP65 (with plug) according to IEC/EN 60529 Standards						
Insulation Class	F (155°C)						
Duty cycle	100%						
Ambiant temperature	-40°C to +65°C / 50°C The application is limited also by the temperature range of the valve.						
Elect. Power	DC	Pn (hot)	9 W			-	
		P (cold) 20°C	12 W			-	
	AC	Pn (holding)	8 W			9 W	
		Attraction cold	26 VA (9 W)			32 VA (10 W)	
Weight	150 g						
Voltages "Un" -10% to +10% of the Un	VAC/Hz	Code	VDC	Code	VAC/Hz	Code	
	24/50	A2	24	C2	24/50-60	P0	
	48/50	A4	48	C4	110/50-60	S5	
	110/50	A5	110	C5	220/50-60	S6	
	220-230/50	3D					

To Order a Coil choose Coil Ref + Voltage Code, example: 495870 for 24 VDC = **495870C2**



# TABLE OF VOLTAGE CODES FOR COILS AND ELECTRICAL PARTS

This table is showing the most commonly used voltage codes, for other voltages, please ask us.

VOLTAGE CODES			C1	C2	N7	L8	C4	C5	C7	E6	P1	A5	0A	S5	P2	1P	6J	0P	P3	K8		
Coil	Group	Sub-Group	12 DC	24 DC	28 DC	30 DC	48 DC	110 DC	196 DC	220 DC	100/50	100/50-60	110/50	110-115/50	110-115/50 120/60	110/50-60	110-115/50-60	110-115/60	100/50-115/60	110/50-120/60	115/60	
481045	1.1	-	•	•			•	•						•				•				
481180	1.1	-	•	•				•						•								
481530	1.1	-	•	•																		
482605	1.1	-	•	•						•												
482606	1.1	-	•	•			•	•						•				•				
483590	1.1	-													•							
488143	1.1	-										•										
488980	1.1	-	•	•			•	•						•				•				
492912	1.1	-		•																		
492919	1.1	-		•																		
495865	1.1	-		•			•							•				•				
496131	1.2	-	•	•			•	•							•						•	
496637	1.2	-	•	•			•	•							•						•	
WB4.5	1.3	-									•	•									•	
WB5.0	1.3	-	•	•				•														
WB8.0	1.3	-																			•	
481000	2.0	2.1	•	•			•	•		•				•				•				
481865	2.0	2.1	•	•			•	•						•								•
482635	2.0	2.1													•							
482725	2.0	2.1	•	•				•						•								•
483371	2.0	2.1	•	•			•	•		•				•				•				
483510	2.0	2.1													•							
483520	2.0	2.1																				
485100	2.0	2.1		•						•				•								
488553	2.0	2.1								•												
488947	2.0	2.1										•										
491514	2.0	2.1	•	•		•																
492070	2.0	2.1	•	•			•	•							•						•	
492190	2.0	2.1	•	•			•	•		•						•						
492453	2.0	2.1	•	•			•	•						•								
492670	2.0	2.1	•	•			•	•						•								
492726	2.0	2.1		•																		
493640	2.0	2.1		•			•							•							•	
494040	2.0	2.1		•						•				•								
495870	2.0	2.1		•			•	•						•								
495905	2.0	2.1		•			•	•														•
496081	2.0	2.1	•	•																		
496082	2.0	2.1	•	•																		
496110	2.0	2.1												•							•	
HZ10	2.0	2.1												•							•	
481044	2.0	2.2												•					•			
483816	2.0	2.2	•	•																		
486265	2.0	2.2	•	•			•							•					•			
492425	2.0	2.2	•	•										•								
492727	2.0	2.2	•	•																		
495880	2.0	2.2		•										•								
496155	2.0	2.2		•			•							•								
HZ11	2.0	2.2	•	•			•														•	
482730	3.0	-		•			•							•								•
482735	3.0	-		•			•															
495875	3.0	2.1		•																		

A1	1W	P6	S2		U3	A7	B7	R5	3D	7J	3P	4K	Q3	S6	F4	J3	P9	A2	B2	P0	A8	B8	Q1	A9	Q2	5P	A4	S4	
12/50	12/50-60	200/50-60	200-230/60	208-230/60	208-240/60	220/50	220/60	220/50-60	220-230/50	220-230/60	220-230/50-60	220-240/60	220/50-240/60	220-240/50	230/50	230/60	230/50-60	24/50	24/60	24/50-60	240/50	240/60	240/50-60	380/50	380/50-60	380/50-440/60	48/50	48/50-60	
									•	•										•	•							•	
											•									•									
									•	•									•	•								•	
		•							•	•				•					•	•		•						•	
									•	•									•	•		•						•	
									•	•									•	•		•						•	
																		•	•		•							•	
																			•	•		•						•	
																			•	•		•						•	
																				•	•		•					•	
																				•	•		•					•	
																				•	•		•					•	
																				•	•		•					•	
																				•	•		•					•	
																				•	•		•					•	
																				•	•		•					•	
																				•	•		•					•	
																				•	•		•					•	
																				•	•		•					•	
																				•	•		•					•	
																				•	•		•					•	
																				•	•		•					•	
																				•	•		•					•	
																				•	•		•					•	
																				•	•		•					•	
																				•	•		•					•	
																				•	•		•					•	
																				•	•		•					•	
																				•	•		•					•	
																				•	•		•					•	
																				•	•		•					•	
																				•	•		•					•	
																				•	•		•					•	
																				•	•		•					•	
																				•	•		•					•	
																				•	•		•					•	
																				•	•		•					•	
																				•	•		•					•	
																				•	•		•					•	
																				•	•		•					•	
																				•	•		•					•	
																				•	•		•					•	
																				•	•		•					•	
																				•	•		•					•	
																				•	•		•					•	
																				•	•		•					•	
																				•	•		•					•	
																				•	•		•					•	
																				•	•		•					•	
																				•	•		•					•	
																				•	•		•					•	
																				•	•		•					•	
																				•	•		•					•	
																				•	•		•					•	
																				•	•		•					•	
																				•	•		•					•	
																				•	•		•					•	
																				•	•		•					•	
																				•	•		•					•	
																				•	•		•					•	
																				•	•		•					•	
																				•	•		•					•	
																				•	•		•					•	
																				•	•		•					•	
																				•	•		•					•	
																				•	•		•					•	
																				•	•		•					•	
																				•	•		•					•	
																				•	•		•					•	
																				•	•		•					•	
																				•	•		•					•	
																				•	•		•					•	
																				•	•		•					•	
																				•	•		•					•	
																				•	•		•					•	
																				•	•		•					•	
																				•	•		•					•	
																				•	•		•					•	
																				•	•		•					•	
																				•	•		•					•	
																				•	•		•					•	
																				•	•		•					•	
																				•	•		•					•	
																				•	•		•					•	
																				•	•		•					•	
																				•	•		•					•	
																				•	•		•					•	
																				•	•		•					•	
																				•	•		•					•	
																				•	•		•					•	

# TABLE OF VOLTAGE CODES FOR COILS AND ELECTRICAL PARTS

This table is showing the most commonly used voltage codes, for other voltages, please ask us.

VOLTAGE CODES			C1	C2	N7	L8	C4	C5		C7	E6	P1	A5	0A	S5	P2	1P	6J	0P	P3	K8	
Coil	Group	Sub-Group	12 DC	24 DC	28 DC	30 DC	48 DC	110 DC	196 DC	220 DC	100/50	100/50-60	110/50	110-115/50	110-115/50 120/60	110/50-60	110-115/50-60	110-115/60	100/50-115/60	110/50-120/60	115/60	
484990	4.0	-										•					•					
485400	4.0	-	•				•	•														
495915	4.0	-		•			•											•				
482740	6.0	-		•			•	•														
482745	6.0	-		•																		
495900	6.0	-	•	•			•	•														•
496125	6.0	-		•			•	•														
483580.01	7.0	-				•																
488650.01	7.0	-				•																
488660.01	7.0	-				•																
488670.01	7.0	-				•																
490885	7.0	-					•															
490890	7.0	-				•	•															
495910	8.0	-				•																
492210	9.0	-		•																		
492965.01	9.0	-				•																
496565	9.0	-				•																
492300	10.1	-	•	•			•	•		•							•					
492310	10.1	-	•	•			•	•		•							•					
496560	10.1	-		•			•	•									•					
496800	10.1	-		•			•	•									•					
496800.02	10.1	-		•			•	•									•					
496895	10.1	-		•			•	•									•					
496555	10.2	-		•			•	•									•					
496700	10.2	-		•			•	•									•					
496700.02	10.2	-		•			•	•									•					
497105	10.3	-	•	•			•	•										•				
492335	12.0	-					•															
482870.01	12.0	-				•																
495294	13.0	-	•	•																		
496193	13.0	-	•	•																		
483824	14.1	-																				
483764	14.2	-																				
483541	14.3	-																				

A1	1W	P6	S2	U3	A7	B7	R5	3D	7J	3P	4K	Q3	S6	F4	J3	P9	A2	B2	P0	A8	B8	Q1	A9	Q2	5P	A4	S4		
12/50	12/50-60	200/50-60	200-230/60	208-230/60	208-240/60	220/50	220/60	220/50-60	220-230/50	220-230/60	220-230/50-60	220-240/60	220/50-240/60	220-240/50	230/50	230/60	230/50-60	24/50	24/60	24/50-60	240/50	240/60	240/50-60	380/50	380/50-60	380/50-440/60	48/50	48/50-60	

## INDEX BY COIL REFERENCE

Coil Reference	Coil Group	Designation	Power DC Pn (W)	Power AC Pn (W)	Ambient Temperature	UL	Degree of Protection	ATEX or NEMA 4X Protection (Gas)	Page
481000	2.0/2.1	Coil with screw terminal, 40 mm	8.0	8.0	-40°C to +50°C	-	IP 44 to 67	-	428
481044	2.0/2.2	Coil with screw terminal High power, 40 mm	-	14.0	-40°C to +50°C	-	IP 44 to 67	-	429
481180	1.1	Coil for DIN plug connection, 22 mm	5.0	4.0	-40°C to +50°C	-	IP65	-	419
481865	2.0 / 2.1	COILS FOR DIN PLUG CONNECTION 32 mm	9.0	8.0	-40°C to +50°C	-	IP65	-	412
482605	1.1	Explosion proof encapsulated electrical part "mb", 32 mm	5.0	4.0	-40°C to +65°C / +40°C	-	IP65	II 2 G Ex mb IIC T4/T5	447
482606	1.1	Explosion proof encapsulated electrical part "mb", low power, 32 mm	2.5	2.0	-40°C to +65°C/+35°C	-	IP65	II 2 G Ex mb IIC T4/T5	447
482730	3.0	COILS FOR DIN PLUG CONNECTION, REDUCED POWER, 32 mm	7.0	6.0	-40°C to +50°C	-	IP65	-	414
482740	6.0	COILS FOR DIN PLUG CONNECTION, low power, 32 mm	1.6	-	-40°C to +50°C	-	IP65	-	415
483371	2.0/2.1	Explosion proof increased safety electrical part "eb", 50 mm	8.0	8.0	-40°C to +65°C	-	IP67	II 2 G Ex eb IIC T4	457
483510	2.0 / 2.1	COILS FOR DIN PLUG CONNECTION 32 mm	-	9.0	-40°C to +50°C	-	IP65	-	412
483520	2.0/2.1	Coil with screw terminal, double frequency, 40 mm	-	9.0	-40°C to +50°C	-	IP 44 to 67	-	428
483541	14.3	Coil with screw terminal, high temperature-high power, 40 mm	20.0	20.0	-40°C to +50°C	-	IP 44 to 67	-	432
483590	1.1	Coil for DIN plug connection, double frequency, 22 mm	-	3.0	-40°C to +50°C	-	IP65	-	421
483764	14.2	Coil for DIN plug connection, UL recognized	-	9.0	-40°C to +50°C	-	IP65	-	417
483816	2.2	Coil for DIN plug connection for Jet Valves, 32 mm	14.0	14.0	-40°C to +50°C	-	IP65	-	418
483824	14.1	Coil with screw terminal, high temperature-high power, 40 mm	19.0	19.0	-40°C to +50°C	-	IP 44 to 67	-	431
484990	4.0	Coil with screw terminal, bistable, for impulse applications, 40 mm	-	11.0	-40°C to +50°C	-	IP 44 to 67	-	434
485400	4.0	Coil with screw terminal, bistable, for impulse applications, 40 mm	13.0	-	-40°C to +50°C	-	IP 44 to 67	-	434
486265	2.0/2.2	Coil with screw terminal, high temperature-high power, 40 mm	14.0	14.0	-40°C to +50°C	-	IP 44 to 67	-	430
488143	1.1	Coil for DIN plug connection, double frequency, 22 mm	-	2.5	-40°C to +50°C	-	IP65	-	422
488553	2.0/2.1	Coil with screw terminal, double frequency, H class, 40 mm	-	9.0	-40°C to +50°C	-	IP 44 to 67	-	433
488980	1.1	Coil for DIN plug connection, low power, 22 mm	2.5	2.0	-40°C to +50°C	-	IP65	-	419
490885	7.0	Explosion proof intrinsically safe electrical part, "NEMA", 50 mm	3.0	-	-40°C to +60°C	-	NEMA 4 - 4X	Cl. I, Div. I, Gr. A, B, C, D	465
491514	2.0/2.1	COILS FOR DIN PLUG CONNECTION, 32 mm, UL	-	11.0	-40°C to +50°C	-	IP65	-	416
492070	2.0/2.1	Explosion proof encapsulated electrical part "mb", with water proof metal housing, 50mm (with 3 m cable length)	8.0	9.0	-40°C to +65°C	-	IP67	II 2 G Ex mb IIC T4/T5	449
492190	2.0/2.1	Explosion proof increased safety and encapsulated electrical part "eb", 50 mm	9.0	11.0	-40°C to +75°C	-	IP66	II 2 G Ex eb mb IIC T3/T4	460
492210	9.0	Explosion proof increased safety and encapsulated electrical part "eb", "Booster", 50 mm	1.0 to 1.8	-	-40°C to +75°C	-	IP66	II 2 G Ex eb mb IIC T5/T6	459
492310	10.1	Explosion proof increased safety and encapsulated electrical part "eb", 50 mm	6.0	6.0	-40°C to +75°C	-	IP66	II 2 G Ex eb mb IIC T4/T5	458
492425	2.0/2.2	COILS FOR DIN PLUG CONNECTION, HIGH TEMPERATURE, 32 mm	14.0	14.0	-40°C to +50°C	-	IP65	-	413
492453	2.0/2.1	COILS FOR DIN PLUG CONNECTION, HIGH TEMPERATURE, 32 mm	9.0	8.0	-40°C to +50°C	-	IP65	-	413
492912	1.1	Coil for DIN plug connection, 22 mm	4.0	3.0	-40°C to +50°C	-	IP65	-	420
493640	2.0/2.1	Flame proof encapsulated electrical part "db mb", double frequency	8.0	8.0	-40°C to +75°C	-	IP65	II 2 G Ex db mb IIC T4/T5	456
494040	2.0/2.1	Explosion proof increased safety electrical part "eb", 50 mm	8.0	8.0	-40°C to +90°C	-	IP67	II 2 G Ex eb IIC T3/T4	457
495294	13.0	Coil with ISO-DIN connector, 12-24VDC for transportation applications, 32 mm	9.0	-	-40°C to +120°C	-	IP69K	-	435
495865	1.1	Explosion proof electrical part "nAc nCc", low power, 22 mm	2.5	2.0	-40°C to +50°C	-	IP65	II 3 G Ex nAc nCc IIC T5	438
495870	2.0/2.1	Explosion proof electrical part "nAc nCc", 32 mm	9.0	8.0	-40°C to +50°C	-	IP65	II 3 G Ex nAc nCc IIC T3/T4	440
495875	3.0	Explosion proof electrical part "nAc nCc", 32 mm	7.0	6.0	-40°C to +50°C	-	IP65	II 3 G Ex nAc nCc IIC T3/T4	442
495880	2.0/2.2	Explosion proof electrical part "nAc nCc", 32 mm	14.0	14.0	-40°C to +50°C	-	IP65	II 3 G Ex nAc nCc IIC T3	443
495900	6.0	Flame proof encapsulated electrical part "db mb", low power, 37 mm	2.0	2.5	-40°C to +65°C	-	IP67	II 2 G Ex db mb IIC T4 / T5/T6	452

## INDEX BY COIL REFERENCE

Coil Reference	Coil Group	Designation	Power DC Pn ( W )	Power AC Pn ( W )	Ambient Temperature	UL	Degree of Protection	ATEX or NEMA 4X Protection ( Gas )	Page
495905	2.0/2.1	Flame proof encapsulated electrical part "db mb", 37 mm	8.0	8.0	-40°C to +65°C	-	IP67	II 2 G Ex db mb IIC T4	453
495910	8.0	Explosion proof intrinsically safe electrical part "ia", "booster", 37 mm	0.3 to 1.2	-	-40°C to +80°C	-	IP67	II 1 G Ex ia IIC T4/T5/T6	462
495915	4.0	Explosion proof increased safety electrical part "nAc nCc", 50 mm	13.0	11.0	-40°C to +65°C	-	IP67	II 3 G Ex nAc nCc IIC T3	444
496081	2.0/2.1	Coil with flying leads, IP 67, 32 mm	9.0	9.0	-40°C to +50°C	-	IP67	-	426
496110	2.0/2.1	Explosion proof electrical part "nAc nCc", 32 mm	-	9.0	-40°C to +50°C	-	IP65	II 3 G Ex nAc nCc IIC T3/T4	440
496125	6.0	Explosion proof electrical part "nAc nCc", low power, 32 mm	1.6	-	-40°C to +50°C	-	IP65	II 3 G Ex nAc nCc IIC T5/T6	441
496131	1.2	Coil for DIN plug connection, double frequency, 22 mm	3.0	3.0	-40°C to +50°C	-	IP65	-	423
496155	2.0/2.2	Explosion proof increased safety electrical part "nAc nCc", 50 mm	14.0	14.0	-40°C to +65°C	-	IP67	II 3 G Ex nAc nCc IIC T3	445
496193	13.0	Coil with ISO-DIN connector, 12-24VDC, for transportation applications, 32 mm	9.0	-	-40°C to +120°C	-	IP69K	-	435
496482	1.2	Coil for DIN plug connection, double frequency coil, 22 mm	3.0	3.0	-40°C to +50°C	-	IP65	-	424
496555	10.2	Flame proof encapsulated electrical part "db mb", 37 mm	6.0	6.0	-40°C to +65°C	-	IP67	II 2 G Ex db mb IIC T4/T5/T6	454
496560	10.1	Flame proof encapsulated electrical part "db mb", 37 mm	8.0	8.0	-40°C to +65°C	-	IP67	II 2 G Ex db mb IIC T4	454
496565	9.0	Explosion proof intrinsically safe electrical part "ia", "Booster", 37 mm	0.77 to 2.58	-	-40°C to +80°C	-	IP67	II 1 G Ex ia IIC T4/T5/T6	463
496637	1.2	Explosion proof electrical part "nAc nCc", double frequency, 22 mm	3.0	3.0	-20°C to +50°C	-	IP65	II 3 D Ex TC IIC T 95°C	439
496700	10.2	Flame proof encapsulated electrical part "db mb", 37 mm	6.0	6.0	-40°C to +65°C	-	IP67	II 2 G Ex db mb IIC T4 / T5 / T6	455
496800	10.1	Flame proof encapsulated electrical part "db mb", 37 mm	8.0	8.0	-40°C to +65°C	-	IP67	II 2 G Ex db mb IIC T4	455
496895	10.1	Coil for DIN plug connection for oil and gas, 37 mm	8.0	8.0	-40°C to +50°C	-	IP65	-	425
497105	10.3	Flame proof stainless steel electrical part "db", M20x1.5	8.0	8.0	-50°C to +80°C / +60°C / +40°C	-	IP66	II 2 G Ex db IIC T4/T5/T6	446
482.606.160	1.1	Explosion proof encapsulated electrical part "mb", low power, 32 mm	2.5	2.0	-40°C to +65°C / +35°C	-	IP65	II 2 G Ex mb IIC T4/T5	447
492.070.160	2.0/2.1	Explosion proof encapsulated electrical part "mb", with water proof metal housing, 50mm ( with 6 m cable length )	8.0	9.0	-40°C to +65°C	-	IP67	II 2 G Ex mb IIC T4/T5	449
483580.01	7.0	Explosion proof intrinsically safe electrical part "ia", 32 mm	3.0	-	-40°C to +55°C	-	IP65	II 1 G Ex ia IIC T6	461
483960.01	7.0	Explosion proof intrinsically safe electrical part "ia", 32 mm	3.0	-	-40°C to +55°C	-	IP65	II 1 G Ex ia IIC T6	461
488650.01	7.0	Explosion proof intrinsically safe electrical part "ia", 50 mm	0.3 to 3.0	-	-40°C to +65°C	-	IP66	II 1 G Ex ia IIC T6	465
492670*	2.0/2.1	Explosion proof encapsulated electrical part "mb", 32 mm	9.0	8.0	-40°C to +50°C	-	IP65	II 2 G Ex mb IIC T4	448
492965.01	9.0	Explosion proof intrinsically safe electrical part "ia", "Booster", 50 mm (stainless steel fixation)	0.3 to 2.3	-	-40°C to +65°C	-	IP66	II 1 G Ex ia IIC T6	464
492965.02	9.0	Explosion proof intrinsically safe electrical part "ia", "Booster", 50 mm (Plastic fixation)	0.3 to 2.3	-	-40°C to +65°C	-	IP66	II 1 G Ex ia IIC T6	464
493640.60*	2.0/2.1	Flame proof encapsulated electrical part "db mb", double frequency	8.0	8.0	-40°C to +75°C	-	IP65	II 2 G Ex db mb IIC T4/T5	456
495905.05*	2.0/2.1	Flame proof encapsulated electrical part "db mb", 37 mm	8.0	8.0	-40°C to +65°C	-	IP67	II 2 G Ex db mb IIC T4	453
496700.02	10.2	Flame proof encapsulated electrical part "db mb", 37 mm	6.0	6.0	-40°C to +65°C	-	IP67	II 2 G Ex db mb IIC T4 / T5 / T6	455
496800.02	10.1	Flame proof encapsulated electrical part "db mb", 37 mm	8.0	8.0	-40°C to +65°C	-	IP67	II 2 G Ex db mb IIC T4	455
497105.02	10.3	Flame proof stainless steel electrical part "db", NPT 1/2"	8.0	8.0	-50°C to +80°C / +60°C / +40°C	-	IP66	II 2 G Ex db IIC T4/T5/T6	446
HZ10	2.0/2.1	Explosion proof encapsulated electrical part "mb", double frequency	8.0	8.0	-40°C to +85°C	-	IP65	II 2 G Ex mb IIC T3/T4/T5	450
HZ11		Explosion proof encapsulated electrical part "mb", double frequency	14.0	14.0	-40°C to +85°C	-	IP65	II 2 G Ex mb IIC T3/T4/T5	451

## INDEX BY COIL GROUP

Coil Group	Coil Reference	Designation	Power DC Pn (W)	Power AC Pn (W)	Ambient Temperature	UL	Degree of Protection	ATEX or NEMA 4X Protection (Gas)	Page
1.1	481180	COIL FOR DIN PLUG CONNECTION, 22 MM	5.0	4.0	-40°C TO +50°C	-	IP65	-	419
1.1	483590	COIL FOR DIN PLUG CONNECTION, DOUBLE FREQUENCY, 22 MM	-	3.0	-40°C TO +50°C	-	IP65	-	421
1.1	488143	COIL FOR DIN PLUG CONNECTION, DOUBLE FREQUENCY, 22 MM	-	2.5	-40°C TO +50°C	-	IP65	-	422
1.1	495865	EXPLOSION PROOF ELECTRICAL PART "NAC NCC", LOW POWER, 22 MM	2.5	2.0	-40°C TO +50°C	-	IP65	II 3 G Ex nAc nC IIC T5	438
1.1	482605	EXPLOSION PROOF ENCAPSULATED ELECTRICAL PART "MB", 32 MM	5.0	4.0	-40°C TO +65°C / +40°C	-	IP65	II 2 G EX MB IIC T4/T5	447
1.1	482606	EXPLOSION PROOF ENCAPSULATED ELECTRICAL PART "MB", LOW POWER, 32 MM	2.5	2.0	-40°C TO +65°C / +35°C	-	IP65	II 2 G EX MB IIC T4/T5	447
1.1	482.606.160	EXPLOSION PROOF ENCAPSULATED ELECTRICAL PART "MB", LOW POWER, 32 MM	2.5	2.0	-40°C TO +65°C / +35°C	-	IP65	II 2 G EX MB IIC T4/T5	447
1.1	488980	COIL FOR DIN PLUG CONNECTION, LOW POWER, 22 MM	2.5	2.0	-40°C TO +50°C	-	IP65	-	419
1.1	492912	COIL FOR DIN PLUG CONNECTION, 22 MM	4.0	3.0	-40°C TO +50°C	-	IP65	-	420
1.2	496482	COIL FOR DIN PLUG CONNECTION, DOUBLE FREQUENCY COIL, 22 MM	3.0	3.0	-40°C TO +50°C	-	IP65	-	424
1.2	496637	EXPLOSION PROOF ELECTRICAL PART "NAC NCC", DOUBLE FREQUENCY, 22 MM	3.0	3.0	-20°C TO +50°C	-	IP65	II 3 D EX TC IIC T 95°C	439
1.2	496131	COIL FOR DIN PLUG CONNECTION, DOUBLE FREQUENCY, 22 MM	3.0	3.0	-40°C TO +50°C	-	IP65	-	423
2.0/2.1	481865	COILS FOR DIN PLUG CONNECTION 32 MM	9.0	8.0	-40°C TO +50°C	-	IP65	-	412
2.0/2.1	483510	COILS FOR DIN PLUG CONNECTION 32 MM	-	9.0	-40°C TO +50°C	-	IP65	-	412
2.0/2.1	492453	COILS FOR DIN PLUG CONNECTION, HIGH TEMPERATURE, 32 MM	9.0	8.0	-40°C TO +50°C	-	IP65	-	413
2.0/2.1	491514	COILS FOR DIN PLUG CONNECTION, 32 MM, UL	-	11.0	-40°C TO +50°C	-	IP65	-	416
2.0/2.1	496081	COIL WITH FLYING LEADS, IP 67, 32 MM	9.0	9.0	-40°C TO +50°C	-	IP67	-	426
2.0/2.1	481000	COIL WITH SCREW TERMINAL, 40 MM	8.0	8.0	-40°C TO +50°C	-	IP 44 TO 67	-	428
2.0/2.1	483520	COIL WITH SCREW TERMINAL, DOUBLE FREQUENCY, 40 MM	-	9.0	-40°C TO +50°C	-	IP 44 TO 67	-	428
2.0/2.1	495870	EXPLOSION PROOF ELECTRICAL PART "NAC NCC", 32 MM	9.0	8.0	-40°C TO +50°C	-	IP65	II 3 G EX NAC NCC IIC T3/T4	440
2.0/2.1	496110	EXPLOSION PROOF ELECTRICAL PART "NAC NCC", 32 MM	-	9.0	-40°C TO +50°C	-	IP65	II 3 G EX NAC NCC IIC T3/T4	440
2.0/2.1	492670*	EXPLOSION PROOF ENCAPSULATED ELECTRICAL PART "MB", 32 MM	9.0	8.0	-40°C TO +50°C	-	IP65	II 2 G EX MB IIC T4	448
2.0/2.1	492070	EXPLOSION PROOF ENCAPSULATED ELECTRICAL PART "MB", WITH WATER PROOF METAL HOUSING, 50MM ( WITH 3 M CABLE LENGTH )	8.0	9.0	-40°C TO +65°C	-	IP67	II 2 G EX MB IIC T4/T5	449
2.0/2.1	492.070.160	EXPLOSION PROOF ENCAPSULATED ELECTRICAL PART "MB", WITH WATER PROOF METAL HOUSING, 50MM ( WITH 6 M CABLE LENGTH )	8.0	9.0	-40°C TO +65°C	-	IP67	II 2 G EX MB IIC T4/T5	449
2.0/2.1	HZ10	EXPLOSION PROOF ENCAPSULATED ELECTRICAL PART "MB", DOUBLE FREQUENCY	8.0	8.0	-40°C TO +85°C	-	IP65	II 2 G EX MB IIC T3/T4/T5	450
2.0/2.1	HZ11	EXPLOSION PROOF ENCAPSULATED ELECTRICAL PART "MB", DOUBLE FREQUENCY	14.0	14.0	-40°C TO +85°C	-	IP65	II 2 G EX MB IIC T3/T4/T5	451
2.0/2.1	495905	FLAME PROOF ENCAPSULATED ELECTRICAL PART "DB MB", 37 MM	8.0	8.0	-40°C TO +65°C	-	IP67	II 2 G EX DB MB IIC T4	453
2.0/2.1	495905.05*	FLAME PROOF ENCAPSULATED ELECTRICAL PART "DB MB", 37 MM	8.0	8.0	-40°C TO +65°C	-	IP67	II 2 G EX DB MB IIC T4	453
2.0/2.1	493640	FLAME PROOF ENCAPSULATED ELECTRICAL PART "DB MB", DOUBLE FREQUENCY	8.0	8.0	-40°C TO +75°C	-	IP65	II 2 G EX DB MB IIC T4/T5	456
2.0/2.1	493640.60*	FLAME PROOF ENCAPSULATED ELECTRICAL PART "DB MB", DOUBLE FREQUENCY	8.0	8.0	-40°C TO +75°C	-	IP65	II 2 G EX DB MB IIC T4/T5	456
2.0/2.1	483371	EXPLOSION PROOF INCREASED SAFETY ELECTRICAL PART "EB", 50 MM	8.0	8.0	-40°C TO +65°C	-	IP67	II 2 G EX EB IIC T4	457
2.0/2.1	494040	EXPLOSION PROOF INCREASED SAFETY ELECTRICAL PART "EB", 50 MM	8.0	8.0	-40°C TO +90°C	-	IP67	II 2 G EX EB IIC T3/T4	457
2.0/2.1	492190	EXPLOSION PROOF INCREASED SAFETY AND ENCAPSULATED ELECTRICAL PART "EB", 50 MM	9.0	11.0	-40°C TO +75°C	-	IP66	II 2 G EX EB MB IIC T3/T4	460
2.0/2.1	488553	COIL WITH SCREW TERMINAL, DOUBLE FREQUENCY, H CLASS, 40 MM	-	9.0	-40°C TO +50°C	-	IP 44 TO 67	-	433
2.0/2.2	492425	COILS FOR DIN PLUG CONNECTION, HIGH TEMPERATURE, 32 MM	14.0	14.0	-40°C TO +50°C	-	IP65	-	413
2.0/2.2	481044	COIL WITH SCREW TERMINAL, HIGH POWER, 40 MM	-	14.0	-40°C TO +50°C	-	IP 44 TO 67	-	429
2.0/2.2	486265	COIL WITH SCREW TERMINAL, HIGH TEMPERATURE-HIGH POWER, 40 MM	14.0	14.0	-40°C TO +50°C	-	IP 44 TO 67	-	430
2.0/2.2	495880	EXPLOSION PROOF ELECTRICAL PART "NAC NCC", 32 MM	14.0	14.0	-40°C TO +50°C	-	IP65	II 3 G EX NAC NCC IIC T3	443
2.0/2.2	496155	EXPLOSION PROOF INCREASED SAFETY ELECTRICAL PART "NAC NCC", 50 MM	14.0	14.0	-40°C TO +65°C	-	IP67	II 3 G EX NAC NCC IIC T3	445



## INDEX BY COIL GROUP

Coil Group	Coil Reference	Designation	Power DC Pn ( W )	Power AC Pn ( W )	Ambient Temperature	UL	Degree of Protection	ATEX or NEMA 4X Protection (Gas)	Page
2.2	483816	COIL FOR DIN PLUG CONNECTION FOR JET VALVES, 32 MM	14.0	14.0	-40°C TO +50°C	-	IP65	-	418
3.0	482730	COILS FOR DIN PLUG CONNECTION, REDUCED POWER, 32 MM	7.0	6.0	-40°C TO +50°C	-	IP65	-	414
3.0	495875	EXPLOSION PROOF ELECTRICAL PART "NAC NCC", 32 MM	7.0	6.0	-40°C TO +50°C	-	IP65	II 3 G EX NAC NCC IIC T3/T4	442
4.0	484990	COIL WITH SCREW TERMINAL, BISTABLE FOR IMPULSE APPLICATIONS, 40 MM	-	11.0	-40°C TO +50°C	-	IP 44 TO 67	-	434
4.0	495915	EXPLOSION PROOF INCREASED SAFETY ELECTRICAL PART "NAC NCC", 50 MM	13.0	11.0	-40°C TO +65°C	-	IP67	II 3 G EX NAC NCC IIC T3	444
4.0	485400	COIL WITH SCREW TERMINAL, BISTABLE FOR IMPULSE APPLICATIONS, 40 MM	13.0	-	-40°C TO +50°C	-	IP 44 TO 67	-	434
6.0	482740	COILS FOR DIN PLUG CONNECTION, LOW POWER, 32 MM	1.6	-	-40°C TO +50°C	-	IP65	-	415
6.0	496125	EXPLOSION PROOF ELECTRICAL PART "NAC NCC", LOW POWER, 32 MM	1.6	-	-40°C TO +50°C	-	IP65	II 3 G EX NAC NCC IIC T5/T6	441
6.0	495900	FLAME PROOF ENCAPSULATED ELECTRICAL PART "DB MB", LOW POWER, 37 MM	2.0	2.5	-40°C TO +65°C	-	IP67	II 2 G EX DB MB IIC T4 / T5/T6	452
7.0	483580.01	EXPLOSION PROOF INTRINSICALLY SAFE ELECTRICAL PART "IA", 32 MM	3.0	-	-40°C TO +55°C	-	IP65	II 1 G EX IA IIC T6	461
7.0	483960.01	EXPLOSION PROOF INTRINSICALLY SAFE ELECTRICAL PART "IA", 32 MM	3.0	-	-40°C TO +55°C	-	IP65	II 1 G EX IA IIC T6	461
7.0	488650.01	EXPLOSION PROOF INTRINSICALLY SAFE ELECTRICAL PART "IA", 50 MM	0.3 TO 3.0	-	-40°C TO +65°C	-	IP66	II 1 G EX IA IIC T6	465
7.0	490885	EXPLOSION PROOF INTRINSICALLY SAFE ELECTRICAL PART, "NEMA", 50 MM	3.0	-	-40°C TO +60°C	-	NEMA 4 - 4X	CL. I, DIVI, GR. A, B, C, D	465
8.0	495910	EXPLOSION PROOF INTRINSICALLY SAFE ELECTRICAL PART "IA", "BOOSTER", 37 MM	0.3 TO 1.2	-	-40°C TO +80°C	-	IP67	II 1 G EX IA IIC T4/T5/T6	462
9.0	492210	EXPLOSION PROOF INCREASED SAFETY AND ENCAPSULATED ELECTRICAL PART "EB", "BOOSTER", 50 MM	1.0 TO 1.8	-	-40°C TO +75°C	-	IP66	II 2 G EX EB MB IIC T5/T6	459
9.0	496565	EXPLOSION PROOF INTRINSICALLY SAFE ELECTRICAL PART "IA", "BOOSTER", 37 MM	0.77 TO 2.58	-	-40°C TO +80°C	-	IP67	II 1 G EX IA IIC T4/T5/T6	463
9.0	492965.01	EXPLOSION PROOF INTRINSICALLY SAFE ELECTRICAL PART "IA", "BOOSTER", 50 MM (STAINLESS STEEL FIXATION)	0.3 TO 2.3	-	-40°C TO +65°C	-	IP66	II 1 G EX IA IIC T6	464
9.0	492965.02	EXPLOSION PROOF INTRINSICALLY SAFE ELECTRICAL PART "IA", "BOOSTER", 50 MM (PLASTIC FIXATION)	0.3 TO 2.3	-	-40°C TO +65°C	-	IP66	II 1 G EX IA IIC T6	464
10.1	496895	COIL FOR DIN PLUG CONNECTION FOR OIL AND GAS, 37 MM	8.0	8.0	-40°C TO +50°C	-	IP65	-	425
10.1	496560	FLAME PROOF ENCAPSULATED ELECTRICAL PART "DB MB", 37 MM	8.0	8.0	-40°C TO +65°C	-	IP67	II 2 G EX DB MB IIC T4	454
10.1	496800	FLAME PROOF ENCAPSULATED ELECTRICAL PART "DB MB", 37 MM	8.0	8.0	-40°C TO +65°C	-	IP67	II 2 G EX DB MB IIC T4	455
10.1	496800.02	FLAME PROOF ENCAPSULATED ELECTRICAL PART "DB MB", 37 MM	8.0	8.0	-40°C TO +65°C	-	IP67	II 2 G EX DB MB IIC T4	455
10.1	492310	EXPLOSION PROOF INCREASED SAFETY AND ENCAPSULATED ELECTRICAL PART "EB", 50 MM	6.0	6.0	-40°C TO +75°C	-	IP66	II 2 G EX EB MB IIC T4/T5	458
10.2	496555	FLAME PROOF ENCAPSULATED ELECTRICAL PART "DB MB", 37 MM	6.0	6.0	-40°C TO +65°C	-	IP67	II 2 G EX DB MB IIC T4/T5/T6	454
10.2	496700	FLAME PROOF ENCAPSULATED ELECTRICAL PART "DB MB", 37 MM	6.0	6.0	-40°C TO +65°C	-	IP67	II 2 G EX DB MB IIC T4 / T5 / T6	455
10.2	496700.02	FLAME PROOF ENCAPSULATED ELECTRICAL PART "DB MB", 37 MM	6.0	6.0	-40°C TO +65°C	-	IP67	II 2 G EX DB MB IIC T4 / T5 / T6	455
10.3	497105	FLAME PROOF STAINLESS STEEL ELECTRICAL PART "DB", M20X1.5	8.0	8.0	-50°C TO +80°C /+60 °C/+40°C	-	IP66	II 2 G EX DB IIC T4/T5/T6	446
10.3	497105.02	FLAME PROOF STAINLESS STEEL ELECTRICAL PART "DB", NPT 1/2"	8.0	8.0	-50°C TO +80°C /+60 °C/+40°C	-	IP66	II 2 G EX DB IIC T4/T5/T6	446
13.0	496193	COIL WITH ISO-DIN CONNECTOR, 12-24VDC, FOR TRANSPORTATION APPLICATIONS, 32 MM	9.0	-	-40°C TO +120°C	-	IP69K	-	435
13.0	495294	COIL WITH ISO-DIN CONNECTOR, 12-24VDC FOR TRANSPORTATION APPLICATIONS, 32 MM	9.0	-	-40°C TO +120°C	-	IP69K	-	435
14.1	483824	COIL WITH SCREW TERMINAL, HIGH TEMPERATURE-HIGH POWER, 40 MM	19.0	19.0	-40°C TO +50°C	-	IP 44 TO 67	-	431
14.2	483764	COIL FOR DIN PLUG CONNECTION, UL RECOGNIZED	-	9.0	-40°C TO +50°C	-	IP65	-	417
14.3	483541	COIL WITH SCREW TERMINAL, HIGH TEMPERATURE-HIGH POWER, 40 MM	20.0	20.0	-40°C TO +50°C	-	IP 44 TO 67	-	432