

# Ball Valves, Stainless Steel Series

**Stainless steel** series ball valves can withstand **corrosive fluids** and **environments**.

With full flow, high pressure and temperature capabilities, these valves are suitable for many applications.

## Product Advantages

**Reliability** | Full flow  
 Excellent chemical compatibility  
 High resistance to pressure/temperature  
 Light series version: 100% leak-tested in production, date coding to guarantee quality and traceability

**Versatility** | Three in-line versions:  
 • One-piece: cannot be disassembled  
 • 3-piece: easily disassembled for maintenance and cleaning  
 • Light Series: for maximum compactness  
 Fixing plate: 4812 and 4832  
 • Through-bulkhead fitting  
 • Pneumatic or electronic actuation (ISO 5211 standard)



**Applications**

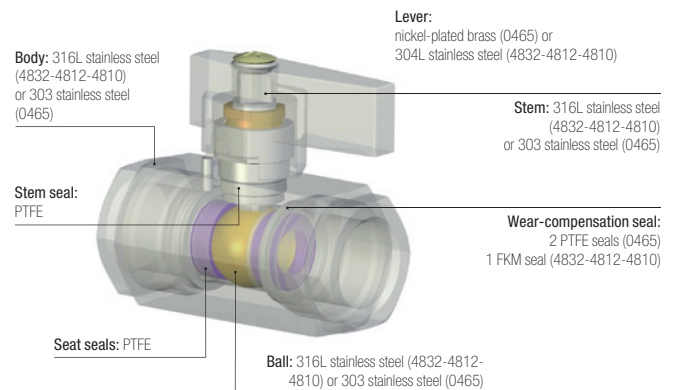
- Food Process
- Aviation
- Chemical
- Semi-Conductors
- Medical
- Petrochemical
- Laboratories
- Pharmaceutical

## Technical Characteristics

Compatible Fluids	Type 4810, 4812 and 4832	Type 0465
	All fluids	All fluids
Working Pressure	0 to 65 bar	Vacuum to 20 bar
Working Temperature	-20°C to +150°C	-20°C to +120°C

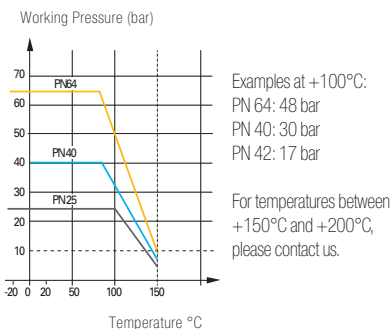
Reliable performance is dependent upon the type of fluid conveyed, component materials and tubing being used.  
 Guaranteed for use with a vacuum of 755 mm Hg (99% vacuum).

### Component Materials

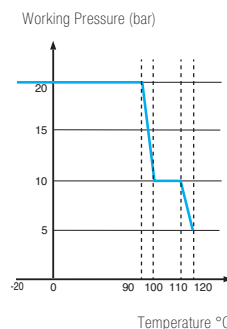


### Pressure and Temperature Resistance

#### Version 4810, 4812 and 4832



#### Version 0465



### Regulations

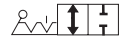
#### Industrial

**DI:** 97/23/EC (module PED A - EC diameters greater than 25 mm)  
**DI:** Machinery Directive 2006/42/EC  
**DI:** 2002/95/EC (RoHS)  
**RG:** 1907/2006 (REACH)  
**DI:** 89/392/EC

# Stainless Steel Series

**4832**

2/2 In-Line 3-Piece Ball Valve with Fixing Plate, Female BSPP Thread



Stainless steel 316L, PTFE		C	DN		E	F	G	H	K	L	M	ØT	kg
		G1/4	10	4832 10 13	18	22	36	50	36	57	110.5	5.5	0.272
		G3/8	10	4832 10 17	18	22	36	50	36	57	110.5	5.5	0.400
		G1/2	15	4832 15 21	20.5	27	36	64	36	65	131.5	6	0.442
		G3/4	20	4832 20 27	22.5	32	42	68	42	76	131.5	5.5	0.568
		G1	25	4832 25 34	27	41	42	78.5	42	92	174.5	6	1.035
		G1¼	32	4832 32 42*	30	50	42	83.5	42	106.5	174.5	5.5	1.530
		G1½	40	4832 40 49*	31	55	50	100	50	116	250.5	6.5	2.146
		G2	50	4832 50 48*	36	70	50	107	50	136	250.5	6.5	3.140

\*Models with CE marking

**4812**

2/2 In-Line Ball Valve with Fixing Plate, Female BSPP Thread



Stainless steel 316L, PTFE		C	DN		E	G	H	L	M	ØT	kg
		G1/4	10	4812 10 13	10	36	50	55	110	5.5	0.263
		G3/8	10	4812 10 17	11	36	50	55	110	5.5	0.254
		G1/2	15	4812 15 21	15	36	53	66	110	5.5	0.336
		G3/4	20	4812 20 27	16	42	67	79	130	5.5	0.574
		G1	25	4812 25 34	19	42	79	93	175	5.5	1.000
		G1¼	32	4812 32 42*	21	42	83	100	175	5.5	1.337
		G1½	40	4812 40 49*	21	50	100	110	250	5.5	2.214
		G2	50	4812 50 48*	26	70	107	131	250	8.5	3.262

\*Models with CE marking

**4810**

2/2 In-Line Ball Valve, Female BSPP Thread



Stainless steel 316L, PTFE		C	DN		E	G	H	L	M	kg
		G1/4	8	4810 08 13	10	30	44.5	53.5	110.5	0.205
		G3/8	10	4810 10 17	10	30	44.5	53.5	110.5	0.194
		G1/2	15	4810 15 21	13	32.5	47	60	110.5	0.245
		G3/4	20	4810 20 27	14	40	54.5	70	131.5	0.420
		G1	25	4810 25 34	17	49	58.5	79	131.5	0.648

Threads conform to ISO 228-1

**0465**

2/2 In-Line Light Series Ball Valve, Female BSPP Thread



Stainless steel 303, PTFE		C	DN		E	F	F1	H	L	kg
		G1/4	4	0465 04 13	13	19	24	36	50	0.226
		G3/8	7	0465 07 17	13	24	27	39	55	0.278
		G1/2	10	0465 10 21	16	27	30	40	62	0.322

Silicone-free