

HIGH CORROSION RESISTANT VALVES (303 STAINLESS STEEL)



2/2

| Actuation | Body | Function | Port Size | Orifice (mm) | Flow Factor Kv(l/min) | MOPD (bar) | Max Fluid Temp. (°C) | Page Parker Valves | Page Parker LUCIFER® Valves |
|-----------------|---------------------------------|-----------------|-----------|--------------|-----------------------|------------|----------------------|--------------------|-----------------------------|
| Direct Operated | 303 Stainless St./Pipe mounting | Normally Closed | 1/4" | 1.5 to 5 | 10 | 100 | 180 | - | 158 |
| | | Normally Open | 1/4" | 2.5 | 3 | 12 | 120 | - | 162 |

2/2

HIGH CORROSION RESISTANT VALVES
(303 STAINLESS STEEL)
DIRECT OPERATED



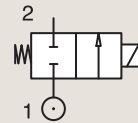
Process



Commercial Equipment

303 STAINLESS ST.
PIPE MOUNTING

NORMALLY CLOSED



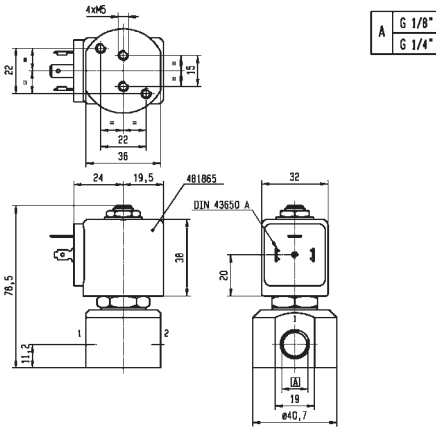
| Port size | Orifice Ø | Flow factors | | | Operating Pressure Differential | | | Fluid Temp. | | Seat Seal | Parker LUCIFER® Valves | | | IS | Power | | Coil Group | Dwg. No. |
|-----------|-----------|--------------|---------|----------|---------------------------------|------------------|--------|-------------|--------|-----------------------|------------------------|--------------|-----------|-----|-------|-------------|-------------|----------|
| | | Kv l/min | KV m³/h | Qn l/min | Min bar | Max(MOPD) AC bar | DC bar | Min °C | Max °C | | Valve Ref. | Housing Ref. | Coil Ref. | | AC W | DC W | | |
| 1/4" | 1.5 | 1.5 | 0.09 | 80 | 0 | 20 | 20 | -10 | 100 | FKM | 121V5406 | 2995 | 481865 | 8 | 9 | 2.0 | 8116 | |
| | 1.5 | 1.5 | 0.09 | 80 | 0 | 20 | 20 | -10 | 120 | FKM | 121V5406 | 4270 | 481000 | 8 | 8 | 2.0 | 8116 | |
| | 1.5 | 1.5 | 0.09 | 80 | 0 | 60 | 25 | 0 | 100 | Ruby | 121V5463 ₁ | 2995 | 481865 | 8 | 9 | 2.0 | 8116 | |
| | 1.5 | 1.5 | 0.09 | 80 | 0 | 75 | 30 | 0 | 130 | Ruby | 121V5463 ₁ | 4270 | 481000 | 8 | 8 | 2.0 | 8116 | |
| | 1.5 | 1.5 | 0.09 | 80 | 0 | 100 | 55 | 0 | 140 | Ruby | 121V5463 ₁ | 4270 | 486265 | 14 | 14 | 2.0 | 8116 | |
| | 1.5 | 1.5 | 0.09 | 80 | 0 | - | 8 | -20 | 75 | PUR | 121V5497 ₂ | 2995 | 482740 | - | 1.6 | 3.0/6.0/8.0 | 8024 | |
| | 1.5 | 1.5 | 0.09 | 80 | 0 | 10 | 10 | -20 | 75 | PUR | 121V5497 ₂ | - | 495900 | 2.5 | 2 | 3.0/6.0/8.0 | 8024 | |
| | 1.5 | 1.5 | 0.09 | 80 | 0 | - | 10 | -20 | 75 | PUR | 121V5497 ₂ | - | 495910 | * | - | 0.3 to 3 | 3.0/6.0/8.0 | 8024 |
| | 1.5 | 1.5 | 0.09 | 80 | 0 | - | 8 | -20 | 75 | PUR | 121V5497 ₂ | 2995 | 496125 | - | 1.6 | 3.0/6.0/8.0 | 8024 | |
| | 2.5 | 3.5 | 0.21 | 220 | 0 | 14 | 7 | -10 | 100 | FKM | 121V5706 | 2995 | 481865 | 8 | 9 | 2.0 | 8116 | |
| | 2.5 | 3.5 | 0.21 | 220 | 0 | 14 | 9 | -10 | 120 | FKM | 121V5706 | 4270 | 481000 | 8 | 8 | 2.0 | 8116 | |
| | 2.5 | 3.5 | 0.21 | 220 | 0 | 14 | 14 | -10 | 120 | FKM | 121V5706 | 4270 | 486265 | 14 | 14 | 2.0 | 8116 | |
| | 2.5 | 3.5 | 0.21 | 220 | 0 | 28 | 10 | 0 | 100 | Ruby | 121V5763 ₁ | 2995 | 481865 | 8 | 9 | 2.0 | 8116 | |
| | 2.5 | 3.5 | 0.21 | 220 | 0 | 34 | 12 | 0 | 130 | Ruby | 121V5763 ₁ | 4270 | 481000 | 8 | 8 | 2.0 | 8116 | |
| | 2.5 | 3.5 | 0.21 | 220 | 0 | 50 | 22 | 0 | 140 | Ruby | 121V5763 ₁ | 4270 | 486265 | 14 | 14 | 2.0 | 8116 | |
| | 3 | 4.5 | 0.27 | 315 | 0 | 10 | 7 | -10 | 100 | FKM | 121V5306 | 2995 | 481865 | 8 | 9 | 2.0 | 8116 | |
| | 3 | 4.5 | 0.27 | 315 | 0 | 10 | 8.5 | -10 | 120 | FKM | 121V5306 | 4270 | 481000 | 8 | 8 | 2.0 | 8116 | |
| | 3 | 4.5 | 0.27 | 315 | 0 | 10 | 10 | -10 | 120 | FKM | 121V5306 | 4270 | 486265 | 14 | 14 | 2.0 | 8116 | |
| | 3 | 4.5 | 0.27 | 315 | 0 | 20 | 7 | 0 | 100 | Ruby | 121V5363 ₁ | 2995 | 481865 | 8 | 9 | 2.0 | 8116 | |
| | 3 | 4.5 | 0.27 | 315 | 0 | 25 | 8.5 | 0 | 130 | Ruby | 121V5363 ₁ | 4270 | 481000 | 8 | 8 | 2.0 | 8116 | |
| 3 | 4.5 | 0.27 | 315 | 0 | 36 | 15 | 0 | 140 | Ruby | 121V5363 ₁ | 4270 | 486265 | 14 | 14 | 2.0 | 8116 | | |

Notes:

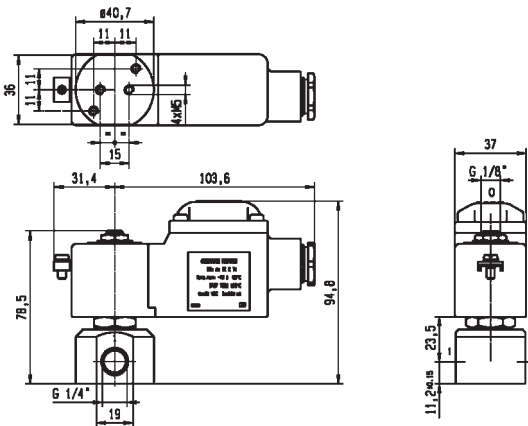
- 1. Valve only compatible with hydraulic oil and neutral liquids
- 2. Valve compatible with water only up to 40°C



| For this page | Port size | Orifice (mm) | Kv (l/min) | MOPD (bar) | Fluid Temp (°C) | Amb Temp (°C) |
|---------------|-----------|--------------|------------|------------|-----------------|---------------|
| From | 1/4" | 1.5 | 1.5 | 7 | -20 | -20 |
| To | 1/4" | 3 | 4.5 | 100 | 140 | 50 |



Drawing 8116

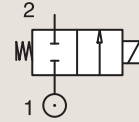


Drawing 8024

2/2

HIGH CORROSION RESISTANT VALVES (303 STAINLESS STEEL) DIRECT OPERATED

303 STAINLESS ST.
PIPE MOUNTING



NORMALLY CLOSED

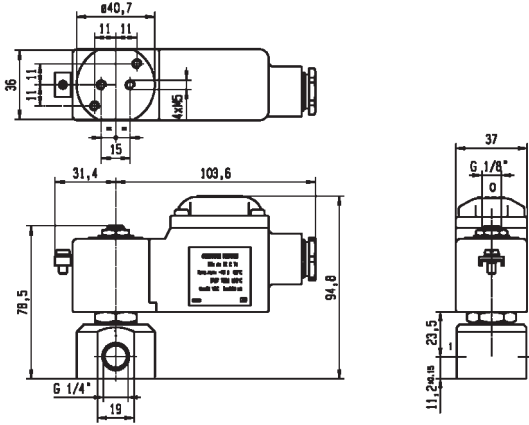
| Port size | Orifice Ø | Flow factors | | | Operating Pressure Differential | | | Fluid Temp. | | Seat Seal | Parker LUCIFER® Valves | | | IS | Power | | Coil Group | Dwg. No. |
|-----------|-----------|--------------|---------|----------|---------------------------------|--------|--------|-------------|--------|-----------------------|------------------------|--------------|-----------|-----|----------|-------------|------------|----------|
| | | Kv l/min | KV m³/h | Qn l/min | Min bar | AC bar | DC bar | Min °C | Max °C | | Valve Ref. | Housing Ref. | Coil Ref. | | AC W | DC W | | |
| 1/4" | 3 | 3.5 | 0.21 | 220 | 0 | - | 2 | -20 | 75 | PUR | 121V5397 ₂ | 2995 | 482740 | - | 1.6 | 3.0/6.0/8.0 | 8024 | |
| | 3 | 3.5 | 0.21 | 220 | 0 | 4.5 | 4 | -20 | 75 | PUR | 121V5397 ₂ | - | 495900 | 2.5 | 2 | 3.0/6.0/8.0 | 8024 | |
| | 3 | 3.5 | 0.21 | 220 | 0 | - | 4.5 | -20 | 75 | PUR | 121V5397 ₂ | - | 495910 | * | 0.3 to 3 | 3.0/6.0/8.0 | 8024 | |
| | 3 | 3.5 | 0.21 | 220 | 0 | - | 2 | -20 | 75 | PUR | 121V5397 ₂ | 2995 | 496125 | - | 1.6 | 3.0/6.0/8.0 | 8024 | |
| | 4 | 7 | 0.42 | 450 | 0 | 10 | 4 | -10 | 100 | FKM | 121V5206 | 2995 | 481865 | 8 | 9 | 2.0 | 8116 | |
| | 4 | 7 | 0.42 | 450 | 0 | 10 | 5 | -10 | 120 | FKM | 121V5206 | 4270 | 481000 | 8 | 8 | 2.0 | 8116 | |
| | 4 | 7 | 0.42 | 450 | 0 | 10 | 10 | -10 | 120 | FKM | 121V5206 | 4270 | 486265 | 14 | 14 | 2.0 | 8116 | |
| | 4 | 7 | 0.42 | 450 | 0 | 3.5 | 3.5 | 0 | 100 | PTFE | 121V5212 ₁ | 2995 | 481865 | 8 | 9 | 2.0 | 8116 | |
| | 4 | 7 | 0.42 | 450 | 0 | 3.5 | 3.5 | 0 | 130 | PTFE | 121V5212 ₁ | 4270 | 481000 | 8 | 8 | 2.0 | 8116 | |
| | 4 | 7 | 0.42 | 450 | 0 | 3.5 | 3.5 | 0 | 130 | PTFE | 121V5212 ₁ | 4270 | 486265 | 14 | 14 | 2.0 | 8116 | |
| | 4 | 7 | 0.42 | 450 | 0 | 12 | 4 | 0 | 100 | Ruby | 121V5263 ₁ | 2995 | 481865 | 8 | 9 | 2.0 | 8116 | |
| | 4 | 7 | 0.42 | 450 | 0 | 15 | 5 | 0 | 130 | Ruby | 121V5263 ₁ | 4270 | 481000 | 8 | 8 | 2.0 | 8116 | |
| | 4 | 7 | 0.42 | 450 | 0 | 22 | 10 | 0 | 180 | Ruby | 121V5263 ₁ | 4270 | 486265 | 14 | 14 | 2.0 | 8116 | |
| | 5 | 10 | 0.6 | 750 | 0 | 7 | 2 | -10 | 100 | FKM | 121V5106 | 2995 | 481865 | 8 | 9 | 2.0 | 8116 | |
| | 5 | 10 | 0.6 | 750 | 0 | 7 | 2.8 | -10 | 120 | FKM | 121V5106 | 4270 | 481000 | 8 | 8 | 2.0 | 8116 | |
| | 5 | 10 | 0.6 | 750 | 0 | 7 | 5 | -10 | 120 | FKM | 121V5106 | 4270 | 486265 | 14 | 14 | 2.0 | 8116 | |
| | 5 | 10 | 0.6 | - | 0 | 2.8 | 2 | 0 | 100 | PTFE | 121V5112 ₁ | 2995 | 481865 | 8 | 9 | 2.0 | 8116 | |
| | 5 | 10 | 0.6 | - | 0 | 2.8 | 2.8 | 0 | 130 | PTFE | 121V5112 ₁ | 4270 | 481000 | 8 | 8 | 2.0 | 8116 | |
| 5 | 10 | 0.6 | - | 0 | 2.8 | 2.8 | 0 | 130 | PTFE | 121V5112 ₁ | 4270 | 486265 | 14 | 14 | 2.0 | 8116 | | |
| 5 | 10 | 0.6 | 750 | 0 | 8.5 | 2 | 0 | 100 | Ruby | 121V5163 ₁ | 2995 | 481865 | 8 | 9 | 2.0 | 8116 | | |
| 5 | 10 | 0.6 | 750 | 0 | 10 | 3.5 | 0 | 130 | Ruby | 121V5163 ₁ | 4270 | 481000 | 8 | 8 | 2.0 | 8116 | | |
| 5 | 10 | 0.6 | 750 | 0 | 14 | 6.5 | 0 | 140 | Ruby | 121V5163 ₁ | 4270 | 486265 | 14 | 14 | 2.0 | 8116 | | |

Notes:

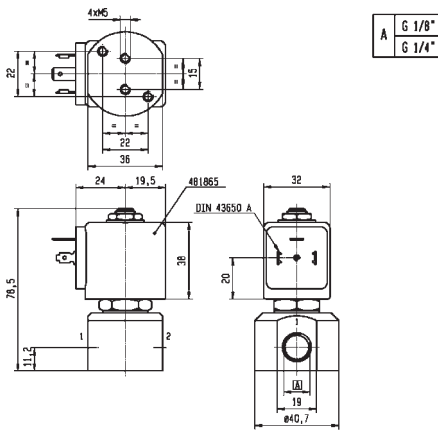
1. Valve only compatible with hydraulic oil and neutral liquids
2. Valve compatible with water only up to 40°C



| For this page | Port size | Orifice (mm) | Kv (l/min) | MOPD (bar) | Fluid Temp (°C) | Amb Temp (°C) |
|---------------|-----------|--------------|------------|------------|-----------------|---------------|
| From | 1/4" | 3 | 3.5 | 2 | -20 | -20 |
| To | 1/4" | 5 | 10 | 22 | 180 | 50 |



Drawing 8024

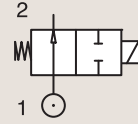


Drawing 8116

2/2

HIGH CORROSION RESISTANT VALVES (303 STAINLESS STEEL) DIRECT OPERATED

303 STAINLESS ST.
PIPE MOUNTING

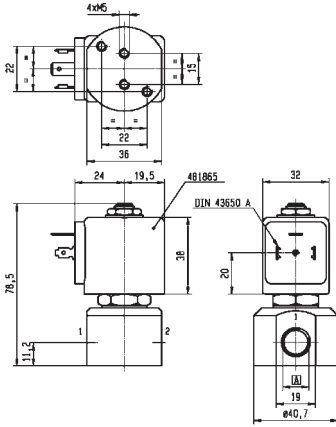


NORMALLY OPEN

| Port size | Orifice Ø | Flow factors | | | Operating Pressure Differential | | | Fluid Temp. | | Seat Seal | Parker LUCIFER® Valves | | | Power | | Coil Group | Dwg. No. |
|-----------|-----------|--------------|---------|----------|---------------------------------|--------|--------|-------------|--------|-----------|------------------------|--------------|-----------|-------|------|------------|----------|
| | | Kv l/min | KV m³/h | Qn l/min | Min bar | AC bar | DC bar | Min °C | Max °C | | Valve Ref. | Housing Ref. | Coil Ref. | AC W | DC W | | |
| 1/4" | 2.5 | 3 | 0.18 | 180 | 0 | 12 | 12 | -30 | 100 | FKM | 122V8306 | 2995 | 481865 | 8 | 9 | 2.1 | 8116 |
| | 2.5 | 3 | 0.18 | 180 | 0 | 12 | 12 | -30 | 120 | FKM | 122V8306 | 4270 | 481000 | 8 | 8 | 2.1 | 8116 |



| For this page | Port size | Orifice (mm) | Kv (l/min) | MOPD (bar) | Fluid Temp (°C) | Amb Temp (°C) |
|---------------|-----------|--------------|------------|------------|-----------------|---------------|
| From | 1/4" | 2.5 | 3 | 12 | -30 | -10 |
| To | 1/4" | 2.5 | 3 | 12 | 120 | 50 |



| | |
|---|--------|
| A | G 1/8" |
| | G 1/4" |



Drawing 8116

2 WAY VALVES

